



[DBPR HOME](#) | [ABOUT DBPR](#) | [DBPR DIVISIONS](#) | [CONTACT DBPR](#)

[BCIS Home](#) | [Log In](#) | [User Registration](#) | [Hot Topics](#) | [Submit Surcharge](#) | [Stats & Facts](#) | [Publications](#) | [Contact Us](#) | [BCIS Site Map](#) | [Links](#) | [Search](#)



Product Approval
USER: Public User

[Product Approval Menu](#) > [Product or Application Search](#) > [Application List](#) > **Application Detail**

OFFICE OF THE SECRETARY

FL #	FL30344-R4								
Application Type	Revision								
Code Version	2023								
Application Status	Approved								
Comments									
Archived	<input type="checkbox"/>								
Product Manufacturer	Americas Best Windows & Doors								
Address/Phone/Email	1350 Park Central Blvd. S. Pompano Beach, FL 33064 (954) 973-1362 abilitycorporation@live.com								
Authorized Signature	Felix Altamuro abilitycorporation@live.com								
Technical Representative									
Address/Phone/Email									
Quality Assurance Representative									
Address/Phone/Email									
Category	Windows								
Subcategory	Single Hung								
Compliance Method	Evaluation Report from a Florida Registered Architect or a Licensed Florida Professional Engineer <input type="checkbox"/> Evaluation Report - Hardcopy Received								
Florida Engineer or Architect Name who developed the Evaluation Report	Jalal Farooq								
Florida License	PE-81223								
Quality Assurance Entity	Keystone Certifications, Inc.								
Quality Assurance Contract Expiration Date	07/25/2029								
Validated By	Abel Carrasco, PE <input checked="" type="checkbox"/> Validation Checklist - Hardcopy Received								
Certificate of Independence	FL30344_R4_COI_SS - Certificate of Independence 2023.pdf								
Referenced Standard and Year (of Standard)	<table border="0"> <thead> <tr> <th>Standard</th> <th>Year</th> </tr> </thead> <tbody> <tr> <td>TAS 201</td> <td>1994</td> </tr> <tr> <td>TAS 202</td> <td>1994</td> </tr> <tr> <td>TAS 203</td> <td>1994</td> </tr> </tbody> </table>	Standard	Year	TAS 201	1994	TAS 202	1994	TAS 203	1994
Standard	Year								
TAS 201	1994								
TAS 202	1994								
TAS 203	1994								
Equivalence of Product Standards Certified By									
Sections from the Code									

Product Approval Method Method 1 Option D

Date Submitted 10/18/2023

Date Validated 10/20/2023

Date Pending FBC Approval 11/01/2023

Date Approved 12/13/2023

Summary of Products

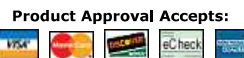
FL #	Model, Number or Name	Description
30344.1	Series 100SH Aluminum Single Hung Window	Large missile impact resistant aluminum single hung window.
Limits of Use Approved for use in HVHZ: Yes Approved for use outside HVHZ: Yes Impact Resistant: Yes Design Pressure: +80/-80 Other: See attached drawing 19-82F for span vs. load combination and installation details.		Installation Instructions FL30344 R4 II SS- SH WDW (LMI) -DWG 19-82F 2023 R1.pdf Verified By: Jalal Farooq PE 81223 Created by Independent Third Party: Yes Evaluation Reports FL30344 R4 AE SS- SH WDW (LMI) -PAE 2023 R1.pdf Created by Independent Third Party: Yes
30344.2	Series 100SH Aluminum Single Hung Window	Small missile impact resistant aluminum single hung window.
Limits of Use Approved for use in HVHZ: Yes Approved for use outside HVHZ: Yes Impact Resistant: Yes Design Pressure: +80/-95 Other: See attached drawing 19-83F for span vs. load combination and installation details.		Installation Instructions FL30344 R4 II SS- SH WDW (SMI) -DWG 19-83F 2023 R1.pdf Verified By: Jalal Farooq PE 81223 Created by Independent Third Party: Yes Evaluation Reports FL30344 R4 AE SS- SH WDW (SMI) -PAE 2023 R1.pdf Created by Independent Third Party: Yes

[Back](#) [Next](#)

Contact Us :: [2601 Blair Stone Road, Tallahassee FL 32399](#) Phone: 850-487-1824

The State of Florida is an AA/EEO employer. [Copyright 2007-2013 State of Florida.](#) :: [Privacy Statement](#) :: [Accessibility Statement](#) :: [Refund Statement](#)

Under Florida law, email addresses are public records. If you do not want your e-mail address released in response to a public-records request, do not send electronic mail to this entity. Instead, contact the office by phone or by traditional mail. If you have any questions, please contact 850.487.1395. *Pursuant to Section 455.275(1), Florida Statutes, effective October 1, 2012, licensees licensed under Chapter 455, F.S. must provide the Department with an email address if they have one. The emails provided may be used for official communication with the licensee. However email addresses are public record. If you do not wish to supply a personal address, please provide the Department with an email address which can be made available to the public. To determine if you are a licensee under Chapter 455, F.S., please click [here](#).



THESE WINDOWS ARE RATED FOR LARGE & SMALL MISSILE IMPACT. SHUTTERS ARE NOT REQUIRED.

**SERIES-100SH
ALUMINUM SINGLE HUNG WINDOW**

DESIGN LOAD RATINGS FOR THESE WINDOWS TO BE AS PER CHARTS SHOWN ON SHEETS 2 & 3.

APPROVAL APPLIES TO SINGLE UNITS OR SIDE BY SIDE COMBINATIONS OF S.H./S.H. OR SINGLE HUNG WITH OTHER WINDOW TYPES IN MODULES OF TWO OR MORE WINDOWS USING F.B.C. APPROVED MULLIONS IN BETWEEN.

LOWER DESIGN PRESSURE FROM WINDOWS OR MULLION APPROVAL WILL APPLY TO ENTIRE SYSTEM.

THIS PRODUCT HAS BEEN DESIGNED AND TESTED TO COMPLY WITH THE REQUIREMENTS OF THE 2020 (7TH EDITION)/2023 (8TH EDITION) FLORIDA BUILDING CODE INCLUDING HIGH VELOCITY HURRICANE ZONE (HVHZ).

1BY OR 2BY WOOD BUCKS & BUCK FASTENERS BY OTHERS, MUST BE DESIGNED AND INSTALLED ADEQUATELY TO TRANSFER APPLIED PRODUCT LOADS TO THE BUILDING STRUCTURE.

ANCHORS SHALL BE CORROSION RESISTANT, SPACED AS SHOWN ON DETAILS AND INSTALLED PER MANUF'S INSTRUCTIONS. SPECIFIED EMBEDMENT TO BASE MATERIAL SHALL BE BEYOND WALL DRESSING OR STUCCO.

A LOAD DURATION INCREASE IS USED IN DESIGN OF ANCHORS INTO WOOD ONLY.

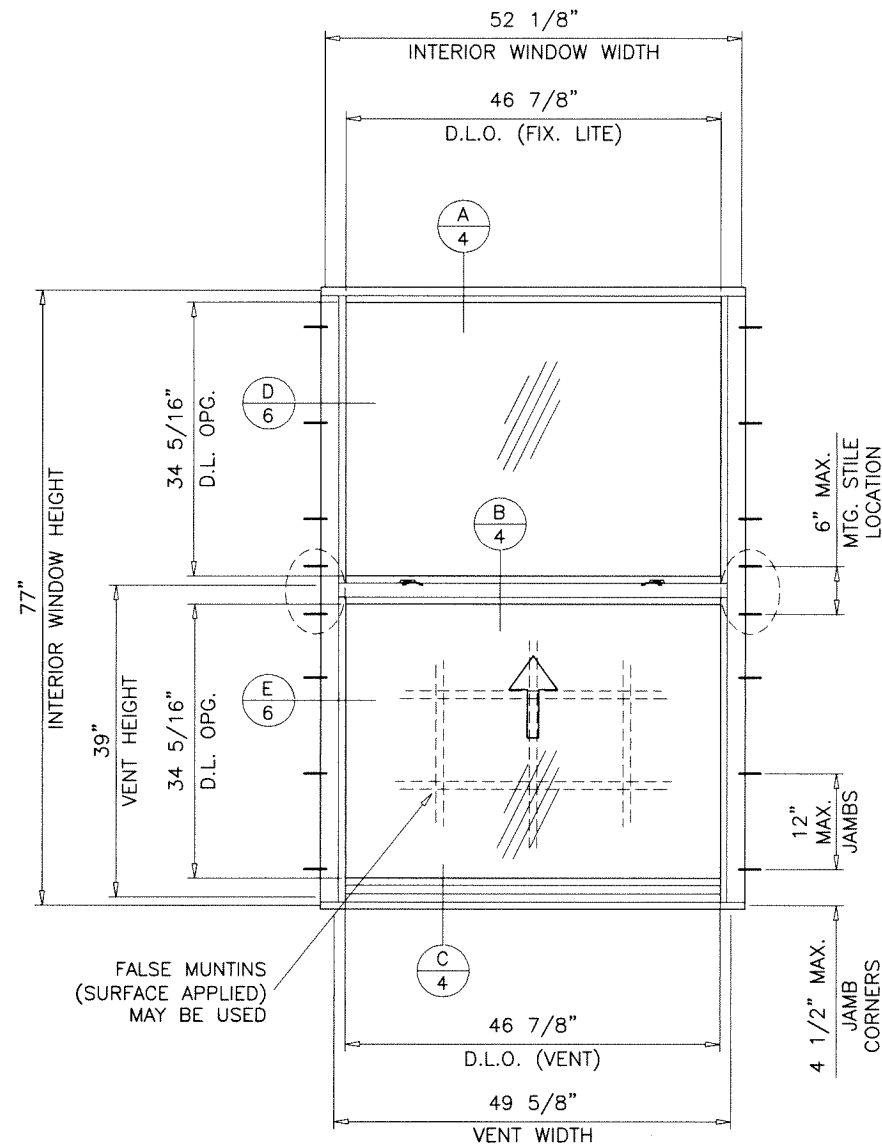
ALL SHIMS TO BE HIGH IMPACT, NON-METALLIC AND NON-COMPRESSIBLE.

MATERIALS INCLUDING BUT NOT LIMITED TO STEEL/METAL SCREWS, THAT COME INTO CONTACT WITH OTHER DISSIMILAR MATERIALS SHALL MEET THE REQUIREMENTS OF THE 2020/2023 FLORIDA BLDG. CODE & ADOPTED STANDARDS.

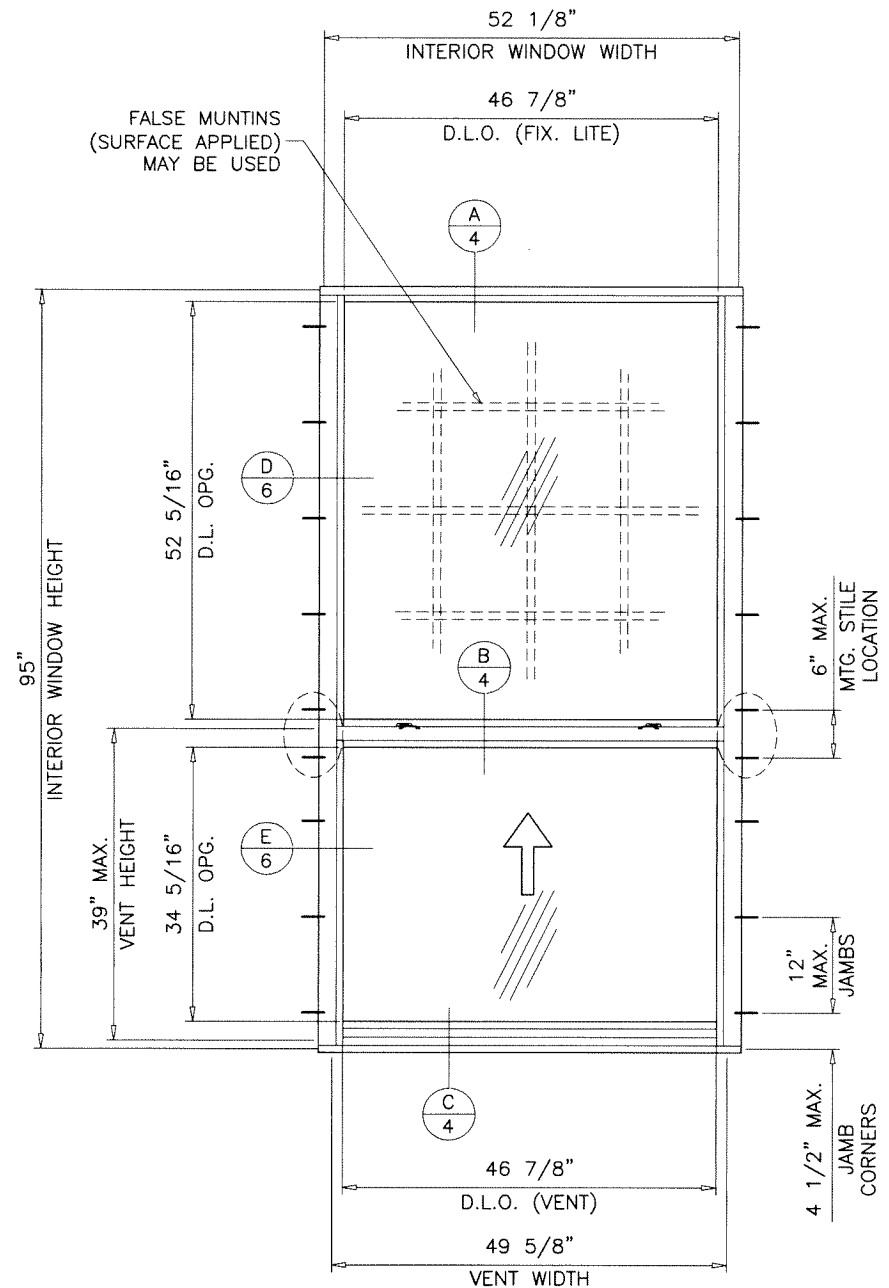
THIS PRODUCT APPROVAL IS GENERIC AND DOES NOT PROVIDE INFORMATION FOR A SITE SPECIFIC PROJECT, i.e. LIFE SAFETY OF THIS PRODUCT, ADEQUACY OF STRUCTURE RECEIVING THIS PRODUCT AND SEALING AROUND OPENING FOR WATER INFILTRATION RESISTANCE ETC. CONDITIONS NOT SHOWN IN THIS DRAWING ARE TO BE ANALYZED SEPARATELY, AND TO BE REVIEWED BY BUILDING OFFICIAL.

DESIGN LOADS SHOWN ARE BASED ON 'ALLOWABLE STRESS DESIGN (ASD)'.

MANUFACTURER'S LABEL SHALL BE LOCATED ON A READILY VISIBLE LOCATION IN ACCORDANCE WITH SECTION 1709.9.3 OF FLORIDA BUILDING CODE. LABELING TO COMPLY WITH SECTION 1709.9.2.



**TYPICAL ELEVATION
EQUAL LITES**

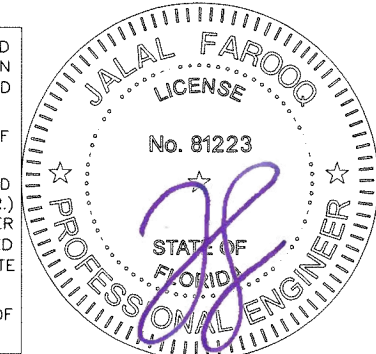


**TYPICAL ELEVATION
UNEQUAL LITES (ORIEL TYPE)
TESTED UNIT**

- A- CONTRACTOR TO BE RESPONSIBLE FOR THE SELECTION, PURCHASE AND INSTALLATION OF THIS PRODUCT BASED ON THIS PRODUCT EVALUATION PROVIDED HE/SHE DOES NOT DEVIATE FROM THE CONDITIONS DETAILED ON THIS DOCUMENT.
- B- THIS PRODUCT EVALUATION DOCUMENT WILL BE CONSIDERED INVALID IF ALTERED BY ANY MEANS.
- C- SITE SPECIFIC PROJECTS SHALL BE PREPARED BY A FLORIDA REGISTERED ENGINEER OR ARCHITECT WHICH WILL BECOME THE ENGINEER OF RECORD (E.O.R.) FOR THE PROJECT AND WHO WILL BE RESPONSIBLE FOR THE PROPER USE OF THE P.E.D. ENGINEER OF RECORD, ACTING AS A DELEGATED ENGINEER TO THE P.E.D. ENGINEER SHALL SUBMIT TO THIS LATTER THE SITE SPECIFIC DRAWINGS FOR REVIEW.
- D- THIS P.E.D. SHALL BEAR THE DATE AND ORIGINAL SEAL AND SIGNATURE OF THE PROFESSIONAL ENGINEER OF RECORD THAT PREPARED IT.

Sealed: 10/16/2023

FL #30344



af c
AL-FAROOQ CORPORATION
ENGINEERS & PRODUCT DEVELOPMENT
9360 SUNSET DRIVE, SUITE 220
MIAMI, FLORIDA 33173
TEL. (305) 264-8100 FAX. (305) 262-6978
(C.A.N. 3538)

SERIES-100SH ALUM SINGLE HUNG WDW. (L.M.I.)
AMERICA'S BEST WINDOWS AND DOORS
1350 Park Central Blvd. S.
Pompano Beach, FL 33064
Tel. (954) 973-1362 Fax. (954) 973-1317

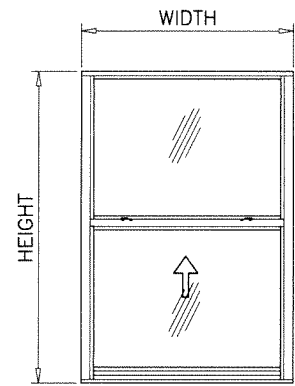
no	date	description
A	12.10.19	GLASS TYPE 'C' ADDED
B	07.03.23	UPDATED TO 2023 FBC
C	10.05.23	MANUF. ADDRESS REVISED

date: 08-16-19
scale: 1/2"=1'-0"
dr. by: TARIO
chk. by:
drawing no.
19-82F
sheet 1 of 8

COMP-ANL\19-82F-ABW

EQUAL LITES WINDOWS DESIGN LOAD CAPACITY - PSF			
INTERIOR FRAME DIMS.		GLASS TYPES 'B' & 'Bi'	
WIDTH	HEIGHT	EXT.(+)	INT.(-)
18-1/8"	25"	80.0	80.0
25-1/2"		80.0	80.0
36"		80.0	80.0
52-1/8"		80.0	80.0
18-1/8"	37-3/8"	80.0	80.0
25-1/2"		80.0	80.0
36"		80.0	80.0
52-1/8"		80.0	80.0
18-1/8"	49-5/8"	80.0	80.0
25-1/2"		80.0	80.0
36"		80.0	80.0
52-1/8"		80.0	80.0
18-1/8"	55"	80.0	80.0
25-1/2"		80.0	80.0
36"		80.0	80.0
52-1/8"		80.0	80.0
18-1/8"	62"	80.0	80.0
25-1/2"		80.0	80.0
36"		80.0	80.0
52-1/8"		80.0	80.0
18-1/8"	71"	80.0	80.0
25-1/2"		80.0	80.0
36"		80.0	80.0
52-1/8"		80.0	80.0
18-1/8"	77"	80.0	80.0
25-1/2"		80.0	80.0
36"		80.0	80.0
52-1/8"		80.0	80.0

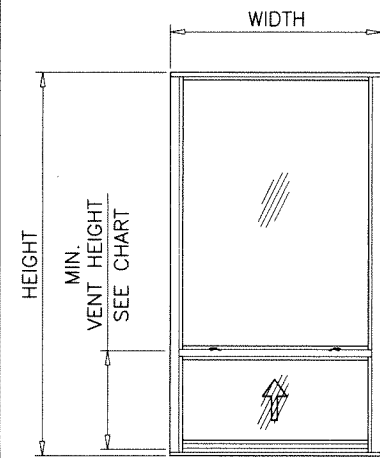
EQUAL LITES WINDOWS DESIGN LOAD CAPACITY - PSF			
INTERIOR FRAME DIMS.		GLASS TYPES 'B' & 'Bi'	
WIDTH	HEIGHT	EXT.(+)	INT.(-)
23"	47"	80.0	80.0
29"		80.0	80.0
31"		80.0	80.0
35"		80.0	80.0
41"		80.0	80.0
23"	59"	80.0	80.0
29"		80.0	80.0
31"		80.0	80.0
35"		80.0	80.0
41"		80.0	80.0
23"	71"	80.0	80.0
29"		80.0	80.0
31"		80.0	80.0
35"		80.0	80.0
41"		80.0	80.0
23"	83"	80.0	80.0
29"		80.0	80.0
31"		80.0	80.0
35"		80.0	80.0
41"		80.0	80.0
23"	93"	80.0	80.0
29"		80.0	80.0
31"		80.0	80.0
35"		80.0	80.0
41"		80.0	80.0



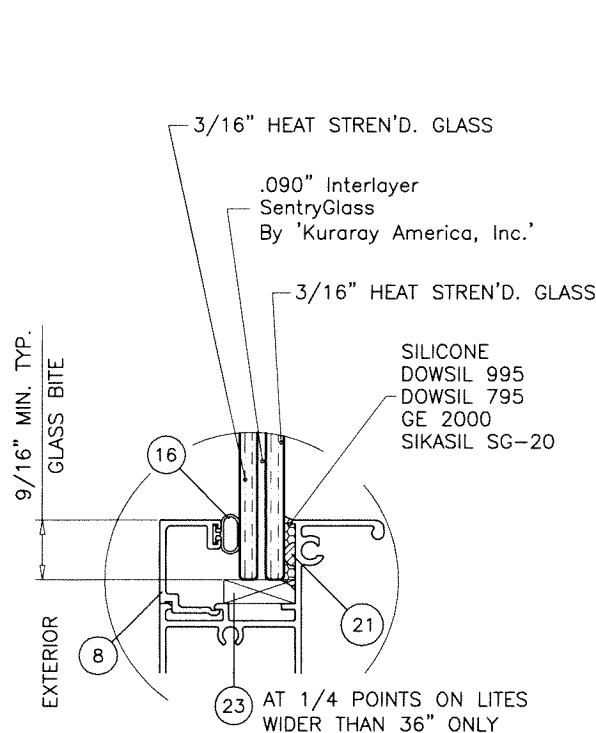
EQUAL LITES

UNEQUAL LITES WINDOWS DESIGN LOAD CAPACITY - PSF				
INTERIOR FRAME DIMS.		MIN. VENT HEIGHT	GLASS TYPES 'B' & 'Bi'	
WIDTH	HEIGHT		EXT.(+)	INT.(-)
18-1/8"	37-3/8"	16"	80.0	80.0
25-1/2"			80.0	80.0
36"			80.0	80.0
52-1/8"			80.0	80.0
18-1/8"	49-5/8"	16"	80.0	80.0
25-1/2"			80.0	80.0
36"			80.0	80.0
52-1/8"			80.0	80.0
18-1/8"	55"	16"	80.0	80.0
25-1/2"			80.0	80.0
36"			80.0	80.0
52-1/8"			80.0	80.0
18-1/8"	62"	16"	80.0	80.0
25-1/2"			80.0	80.0
36"			80.0	80.0
52-1/8"			80.0	80.0
18-1/8"	71"	16"	80.0	80.0
25-1/2"			80.0	80.0
36"			80.0	80.0
52-1/8"			80.0	80.0
18-1/8"	75"	20"	80.0	80.0
25-1/2"			80.0	80.0
36"			80.0	80.0
52-1/8"			80.0	80.0
18-1/8"	95"	39"	80.0	80.0
25-1/2"			80.0	80.0
36"			80.0	80.0
52-1/8"			80.0	80.0

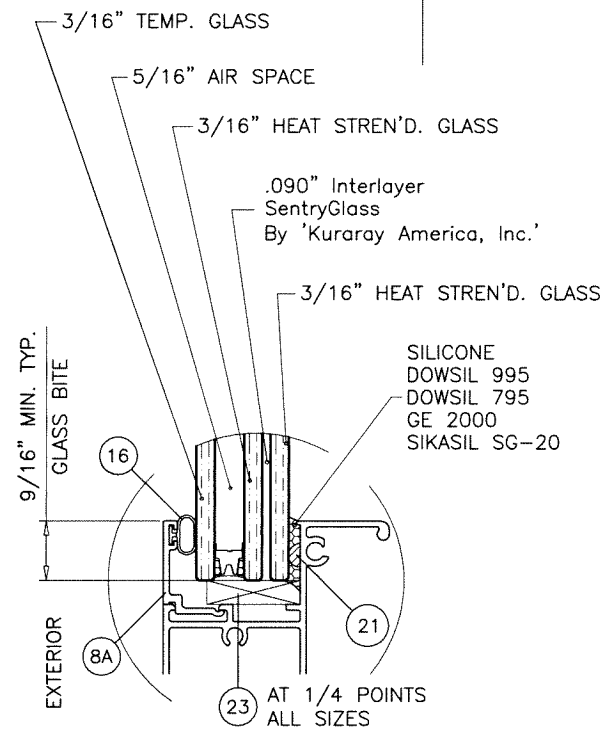
UNEQUAL LITES WINDOWS DESIGN LOAD CAPACITY - PSF				
INTERIOR FRAME DIMS.		MIN. VENT HEIGHT	GLASS TYPES 'B' & 'Bi'	
WIDTH	HEIGHT		EXT.(+)	INT.(-)
23"	47"	16"	80.0	80.0
29"			80.0	80.0
31"			80.0	80.0
35"			80.0	80.0
41"			80.0	80.0
23"	59"	16"	80.0	80.0
29"			80.0	80.0
31"			80.0	80.0
35"			80.0	80.0
41"			80.0	80.0
23"	71"	16"	80.0	80.0
29"			80.0	80.0
31"			80.0	80.0
35"			80.0	80.0
41"			80.0	80.0
23"	83"	22"	80.0	80.0
29"			80.0	80.0
31"			80.0	80.0
35"			80.0	80.0
41"			80.0	80.0
23"	93"	32"	80.0	80.0
29"			80.0	80.0
31"			80.0	80.0
35"			80.0	80.0
41"			80.0	80.0
23"	95"	39"	80.0	80.0
29"			80.0	80.0
31"			80.0	80.0
35"			80.0	80.0
41"			80.0	80.0



UNEQUAL LITES (ORIEL TYPE)



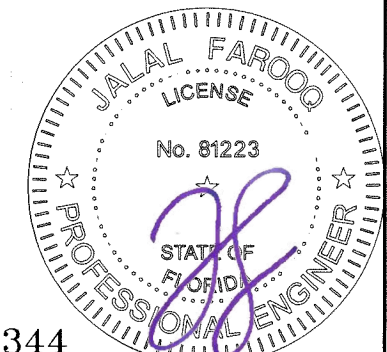
GLASS TYPE 'B'
7/16" OVERALL LAM. GLASS



GLASS TYPE 'Bi'
15/16" OVERALL INSUL. LAM. GLASS

NOTE:
GLASS CAPACITIES ON THIS SHEET ARE
BASED ON ASTM E1300-09 (3 SEC. GUSTS)
AND FLORIDA BUILDING COMMISSION
DECLARATORY STATEMENT DCA05-DEC-219

Sealed: 10/16/2023



FL #30344

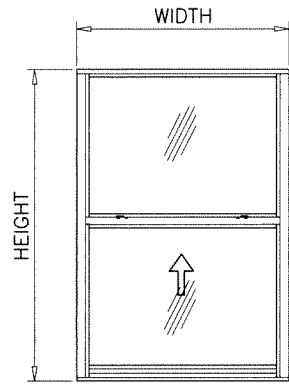
af c
AL-FAROOQ CORPORATION
ENGINEERS & PRODUCT DEVELOPMENT
9360 SUNSET DRIVE, SUITE 220 (C.A.N. 3538)
MIAMI, FLORIDA 33173 TEL. (305) 262-6978
FAX. (305) 264-8100
COMP-ANL 19-82F-ABW

SERIES-100SH ALUM SINGLE HUNG WDW. (L.M.I.)
AMERICA'S BEST WINDOWS AND DOORS
1350 Park Central Blvd. S.
Pompano Beach, FL 33064
Tel. (954) 973-1362 Fax. (954) 973-1317

revisions:	no	date	by	description
date:	08-16-19	scale:	-	
dr. by:	TARIQ	chk. by:		
drawing no.	19-82F			
sheet	3 of 8			

EQUAL LITES WINDOWS DESIGN LOAD CAPACITY - PSF			
INTERIOR FRAME DIMS.		GLASS TYPE 'C'	
WIDTH	HEIGHT	EXT.(+)	INT.(-)
18-1/8"	25"	55.0	55.0
25-1/2"		55.0	55.0
36"		55.0	55.0
52-1/8"		55.0	55.0
18-1/8"	37-3/8"	55.0	55.0
25-1/2"		55.0	55.0
36"		55.0	55.0
52-1/8"		55.0	55.0
18-1/8"	49-5/8"	55.0	55.0
25-1/2"		55.0	55.0
36"		55.0	55.0
52-1/8"		55.0	55.0
18-1/8"	55"	55.0	55.0
25-1/2"		55.0	55.0
36"		55.0	55.0
52-1/8"		55.0	55.0
18-1/8"	62"	55.0	55.0
25-1/2"		55.0	55.0
36"		55.0	55.0
52-1/8"		55.0	55.0
18-1/8"	71"	55.0	55.0
25-1/2"		55.0	55.0
36"		55.0	55.0
52-1/8"		55.0	55.0
18-1/8"	77"	55.0	55.0
25-1/2"		55.0	55.0
36"		55.0	55.0
52-1/8"		55.0	55.0

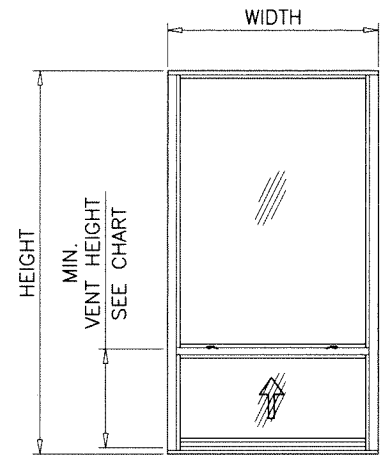
EQUAL LITES WINDOWS DESIGN LOAD CAPACITY - PSF			
INTERIOR FRAME DIMS.		GLASS TYPE 'C'	
WIDTH	HEIGHT	EXT.(+)	INT.(-)
23"	47"	55.0	55.0
29"		55.0	55.0
31"		55.0	55.0
35"		55.0	55.0
41"		55.0	55.0
47"	59"	55.0	55.0
23"		55.0	55.0
29"		55.0	55.0
31"		55.0	55.0
35"		55.0	55.0
41"	83"	55.0	55.0
47"		55.0	55.0
23"		55.0	55.0
29"		55.0	55.0
31"		55.0	55.0
35"	93"	55.0	55.0
41"		55.0	55.0
23"		55.0	55.0
29"		55.0	55.0
31"		55.0	55.0



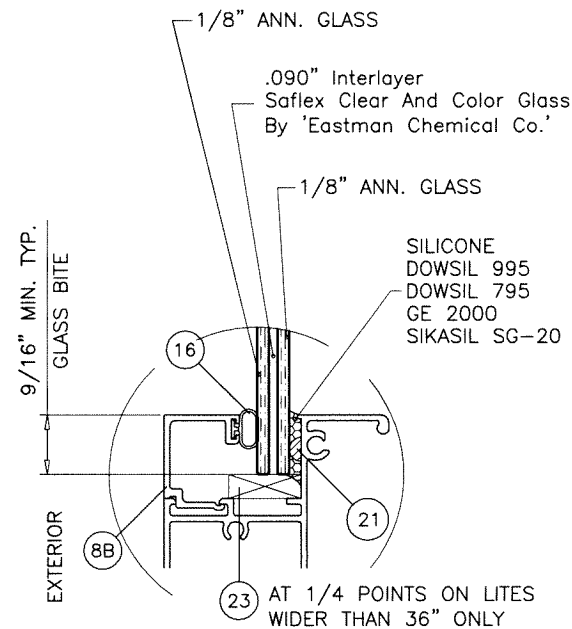
EQUAL LITES

UNEQUAL LITES WINDOWS DESIGN LOAD CAPACITY - PSF				
INTERIOR FRAME DIMS.		MIN. VENT HEIGHT	GLASS TYPE 'C'	
WIDTH	HEIGHT		EXT.(+)	INT.(-)
18-1/8"	37-3/8"	16"	55.0	55.0
25-1/2"			55.0	55.0
36"			55.0	55.0
52-1/8"			55.0	55.0
18-1/8"	49-5/8"	16"	55.0	55.0
25-1/2"			55.0	55.0
36"			55.0	55.0
52-1/8"			55.0	55.0
18-1/8"	55"	16"	55.0	55.0
25-1/2"			55.0	55.0
36"			55.0	55.0
52-1/8"			55.0	55.0
18-1/8"	62"	22"	55.0	55.0
25-1/2"			55.0	55.0
36"			55.0	55.0
52-1/8"			55.0	55.0
18-1/8"	71"	31"	55.0	55.0
25-1/2"			55.0	55.0
36"			55.0	55.0
52-1/8"			55.0	55.0
18-1/8"	75"	35"	55.0	55.0
25-1/2"			55.0	55.0
36"			55.0	55.0
52-1/8"			55.0	55.0
18-1/8"	95"	39"	55.0	55.0
25-1/2"			55.0	55.0
36"			55.0	55.0

UNEQUAL LITES WINDOWS DESIGN LOAD CAPACITY - PSF				
INTERIOR FRAME DIMS.		MIN. VENT HEIGHT	GLASS TYPE 'C'	
WIDTH	HEIGHT		EXT.(+)	INT.(-)
23"	47"	16"	55.0	55.0
29"			55.0	55.0
31"			55.0	55.0
35"			55.0	55.0
41"			55.0	55.0
47"	59"	16"	55.0	55.0
23"			55.0	55.0
29"			55.0	55.0
31"			55.0	55.0
35"			55.0	55.0
41"	71"	25"	55.0	55.0
47"			55.0	55.0
23"			55.0	55.0
29"			55.0	55.0
31"			55.0	55.0
35"	83"	37"	55.0	55.0
41"			55.0	55.0
47"			55.0	55.0
23"			55.0	55.0
29"			55.0	55.0
31"	93"	37"	55.0	55.0
35"			55.0	55.0
23"			55.0	55.0
29"			55.0	55.0
31"			55.0	55.0
35"	95"	39"	55.0	55.0
23"			55.0	55.0
29"			55.0	55.0
31"			55.0	55.0
35"			55.0	55.0



UNEQUAL LITES (ORIEL TYPE)



GLASS TYPE 'C'
5/16" OVERALL LAM. GLASS

NOTE:
GLASS CAPACITIES ON THIS SHEET ARE
BASED ON ASTM E1300-09 (3 SEC. GUSTS)
AND FLORIDA BUILDING COMMISSION
DECLARATORY STATEMENT DCA05-DEC-219

Sealed: 10/16/2023

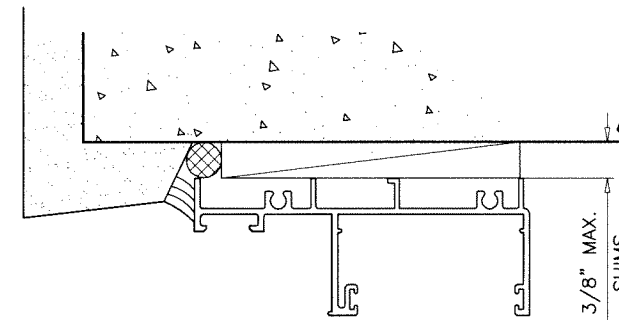
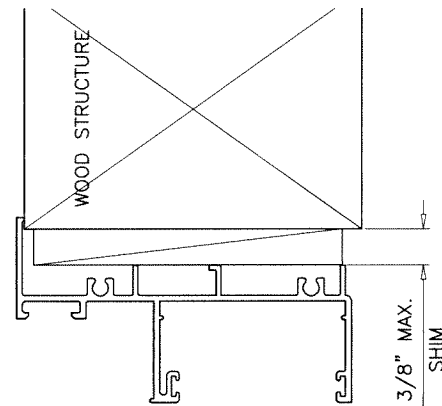
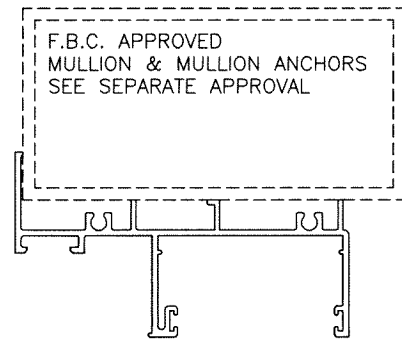
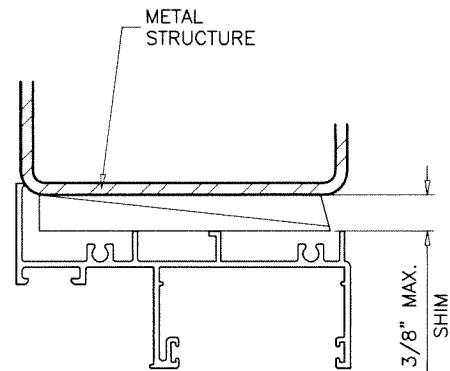


FL #30344

AL-FAROOQ CORPORATION
ENGINEERS & PRODUCT DEVELOPMENT
9360 SUNSET DRIVE, SUITE 220
MIAMI, FLORIDA 33173
TEL. (305) 264-8100 FAX. (305) 262-6978
C.A.N. 3538

SERIES-100SH ALUM SINGLE HUNG WDW. (L.M.I.)
AMERICA'S BEST WINDOWS AND DOORS
1350 Park Central Blvd. S.
Pompano Beach, FL 33064
Tel. (954) 973-1362 Fax. (954) 973-1317

revisions:	no	date	by	description
date:	08-16-19	scale:	-	dr. by: TARIQ
chk. by:				
drawing no.	19-82F			
sheet	3.1 of 8			



FLUSH FRAME WITH TRIMMED EXTERIOR FLANGE APPLICABLE TO HEAD AND SILL FOR ANY SUBSTRATE SHOWN FOR FLANGE FRAMES

WOOD BUCKS AND METAL STRUCTURE NOT BY 'AMERICA'S BEST' MUST SUSTAIN LOADS IMPOSED BY GLAZING SYSTEM AND TRANSFER THEM TO THE BUILDING STRUCTURE.

TYPICAL ANCHORS: SEE ELEV. FOR SPACING

1/4" DIA. ULTRACON+ BY 'DEWALT' (Fu=164 KSI, Fy=148 KSI)

INTO WOOD STRUCTURES

2" MIN. PENETRATION INTO WOOD (HEAD/SILL/JAMBS)

THRU 1BY OR 2BY WOOD BUCKS INTO CONC. OR BLOCKS

1-1/4" MIN. EMBED INTO CONCRETE (HEAD/SILL/JAMBS)

1-1/4" MIN. EMBED INTO BLOCKS (JAMBS)

DIRECTLY INTO CONCRETE OR BLOCKS

2" MIN. EMBED INTO CONCRETE (HEAD/SILL/JAMBS)

2" MIN. EMBED INTO GROUT FILLED BLOCKS (JAMBS)

1/4" DIA. TEKS OR SELF-DRILLING SCREWS (GRADE 5 CRS)

INTO F.B.C. APPROVED MULLIONS

OR

INTO METAL STRUCTURES (HEAD/SILL/JAMBS)

(3) THREADS MIN. TO EXTEND BEYOND METAL THICKNESS

ALUMINUM: 1/8" THK. MIN. (6063-T5 MIN.)

STEEL: 1/8" THK. MIN. (Fy = 36 KSI MIN.)

(STEEL IN CONTACT WITH ALUMINUM TO BE PLATED OR PAINTED)

TYPICAL EDGE DISTANCE

INTO CONCRETE AND BLOCKS = 2-1/2" MIN.

INTO WOOD STRUCTURE = 1" MIN.

INTO METAL STRUCTURE = 3/4" MIN.

WOOD AT HEAD, SILL OR JAMBS SG = 0.55 MIN.

CONCRETE AT HEAD, SILL OR JAMBS f'c = 3000 PSI MIN.

C-90 HOLLOW/FILLED BLOCK AT JAMBS f'm = 2000 PSI MIN.

Sealed: 10/16/2023



FL #30344

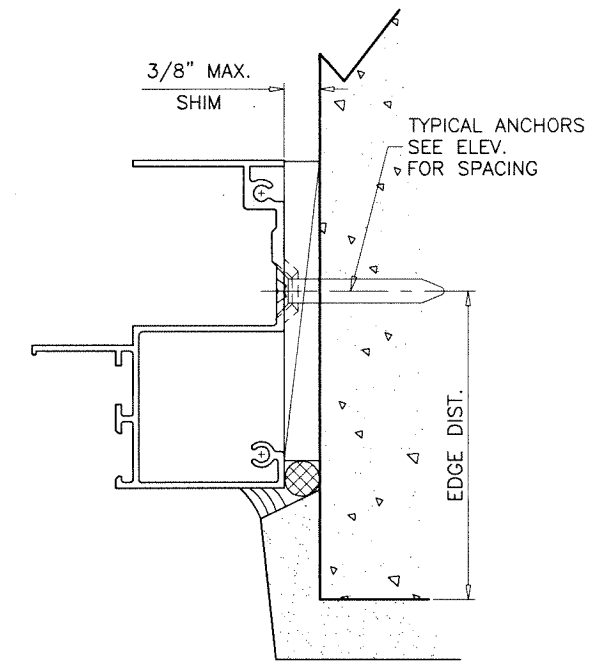
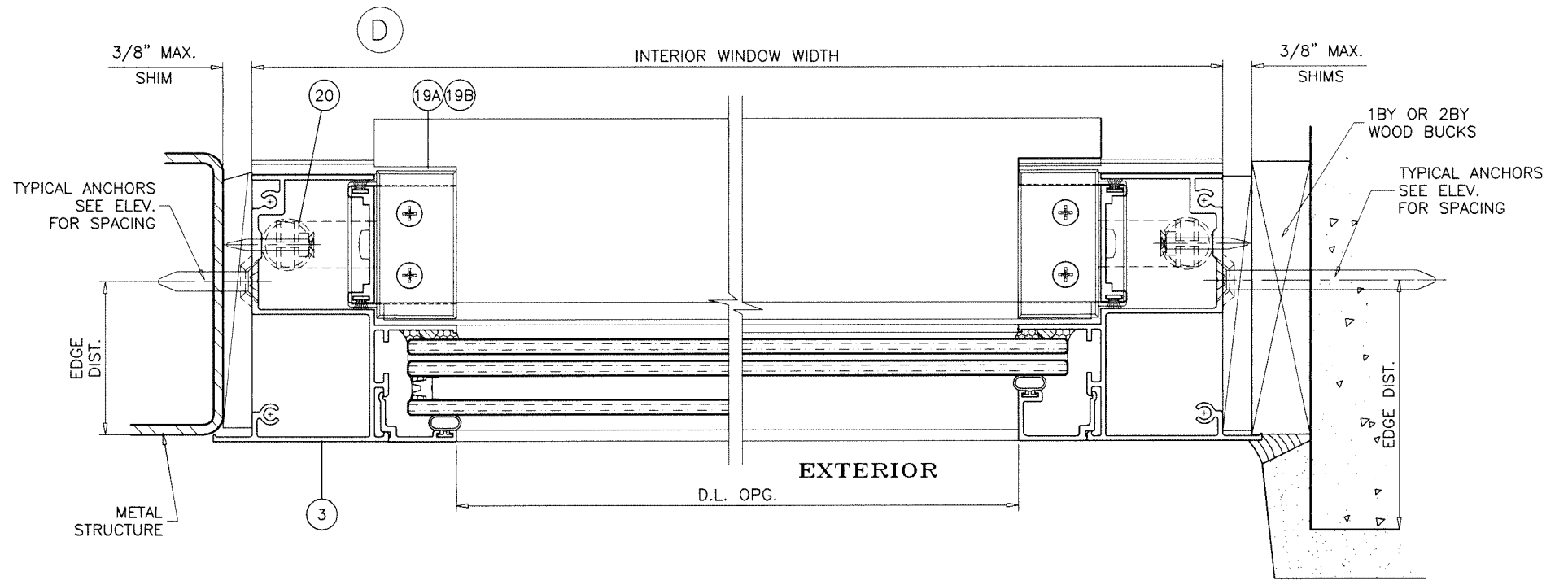
AL-FAROOQ CORPORATION
 ENGINEERS & PRODUCT DEVELOPMENT
 9360 SUNSET DRIVE, SUITE 220
 MIAMI, FLORIDA 33173 (C.A.N. 3538)
 TEL. (305) 264-8100 FAX. (305) 262-6978
 COMP-ANL 19-82F-ABW

SERIES-100SH ALUM SINGLE HUNG WDW. (L.M.I.)
AMERICA'S BEST WINDOWS AND DOORS
 1350 Park Central Blvd. S.
 Pompano Beach, FL 33064
 Tel. (954) 973-1362 Fax. (954) 973-1317

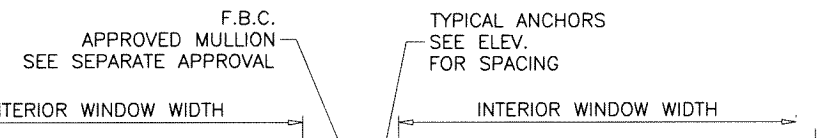
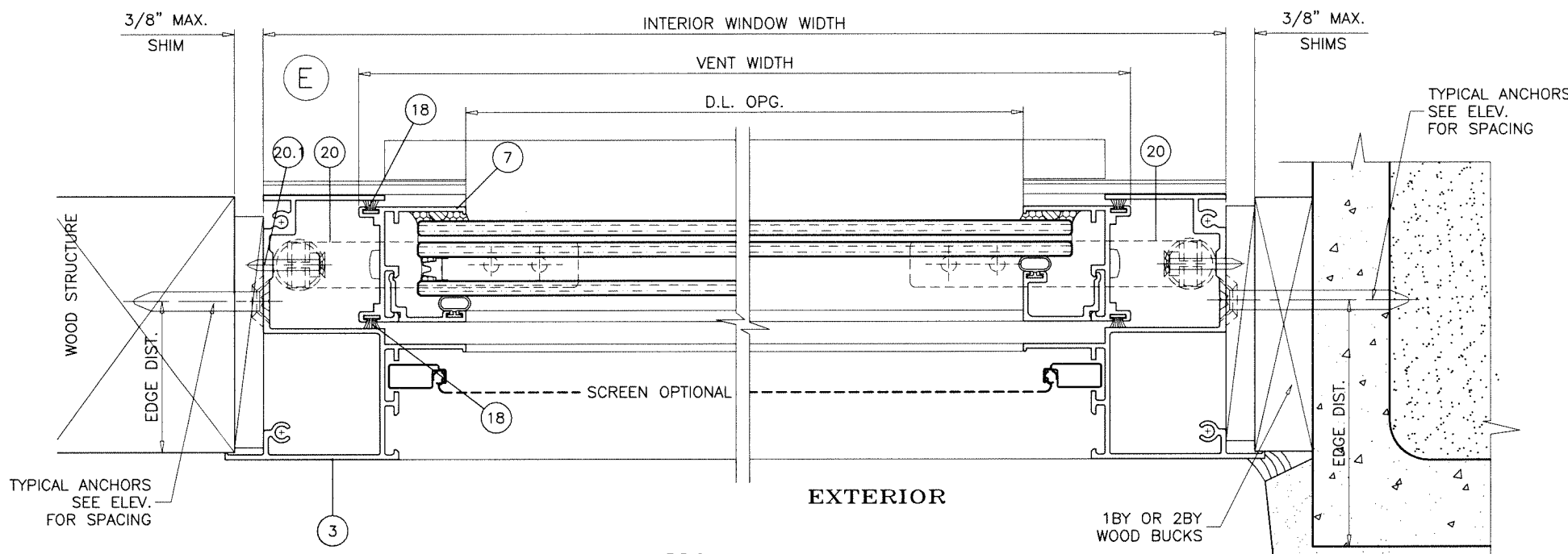
revisions:	
no	description

date: 08-16-19
 scale: 1/2" = 1"
 dr. by: TARIQ
 chk. by:

drawing no.
19-82F
 sheet 5 of 8



FLUSH FRAME WITH TRIMMED EXTERIOR FLANGE



Sealed: 10/16/2023



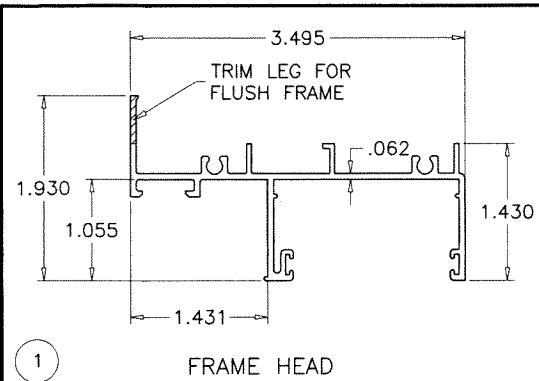
FL #30344

afc
AL-FAROOQ CORPORATION
 ENGINEERS & PRODUCT DEVELOPMENT
 9360 SUNSET DRIVE, SUITE 220 (C.A.N. 3538)
 MIAMI, FLORIDA 33173
 TEL. (305) 264-8100 FAX. (305) 262-6978
 COMP-ANL 19-82F-ABW

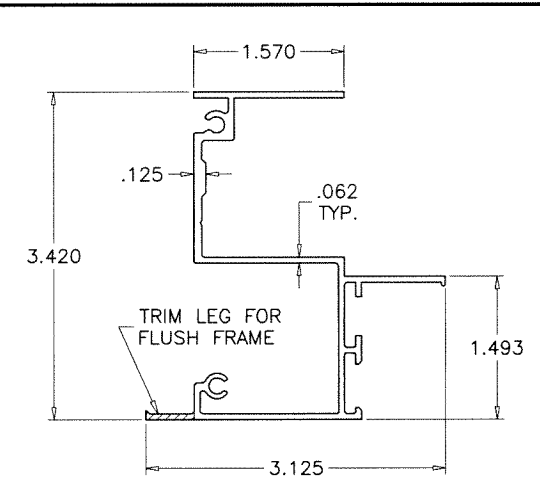
SERIES-100SH ALUM SINGLE HUNG WDW. (L.M.I.)
AMERICA'S BEST WINDOWS AND DOORS
 1350 Park Central Blvd. S.
 Pompano Beach, FL 33064
 Tel. (954) 973-1362 Fax. (954) 973-1317

revisions:	no	date	by	description

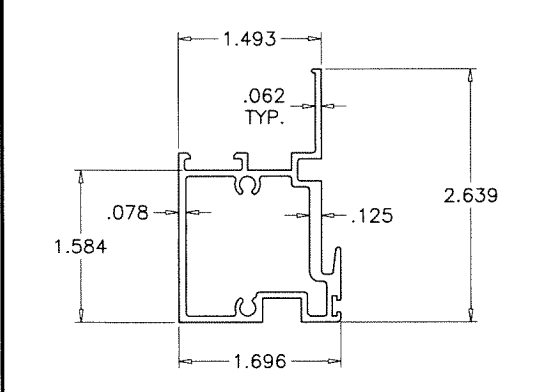
date: 08-16-19	scale: 1/2" = 1"	dr. by: TARIQ	chk. by:
drawing no. 19-82F			
sheet 6 of 8			



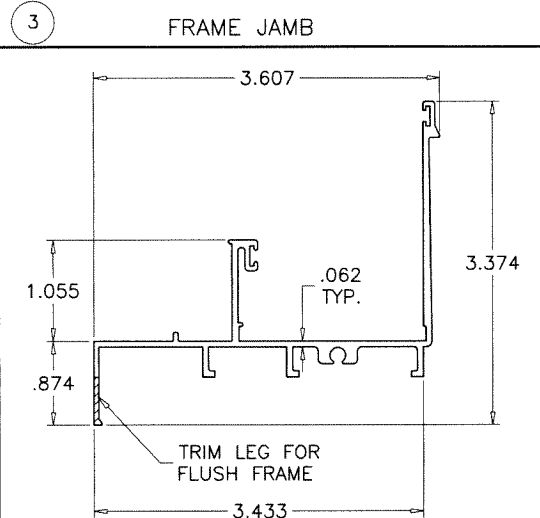
1 FRAME HEAD



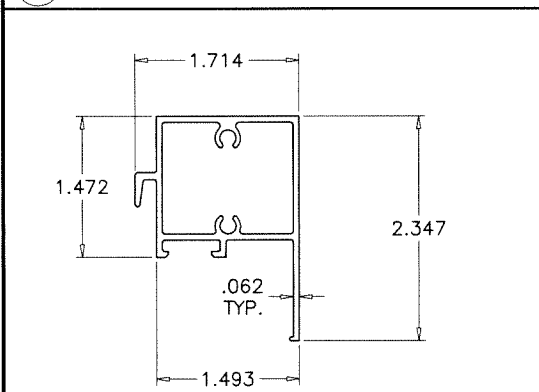
3 FRAME JAMB



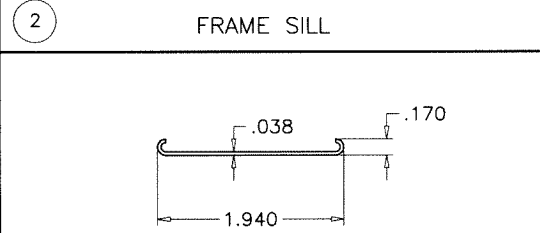
4 FIX. MEETING RAIL



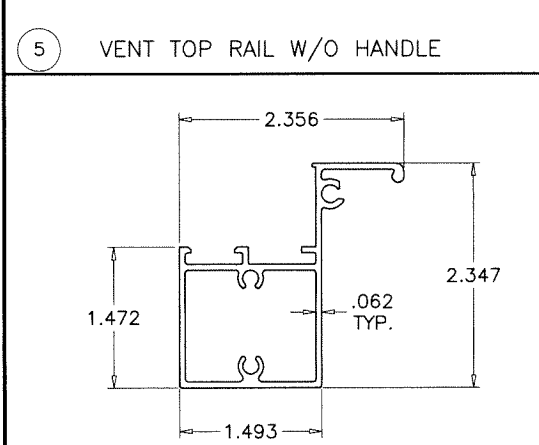
2 FRAME SILL



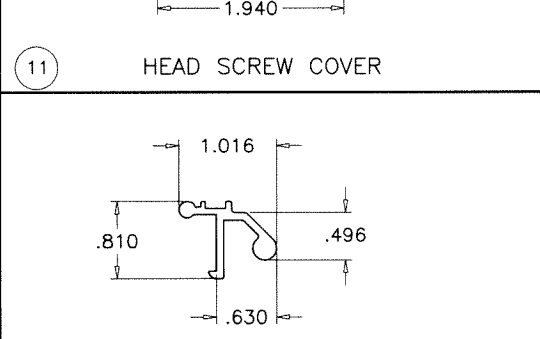
5 VENT TOP RAIL W/O HANDLE



11 HEAD SCREW COVER

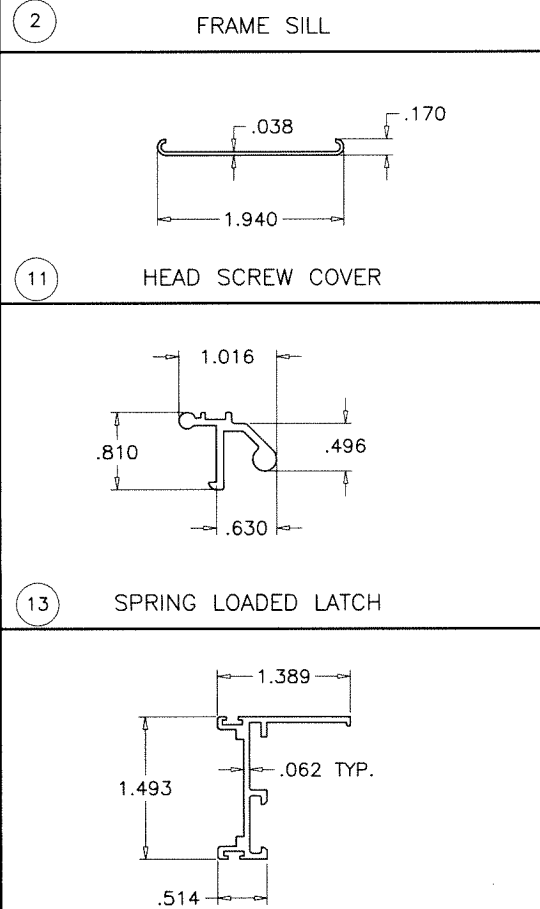


6 VENT BOTTOM RAIL

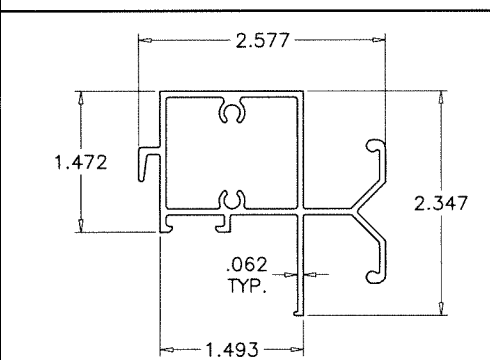


13 SPRING LOADED LATCH

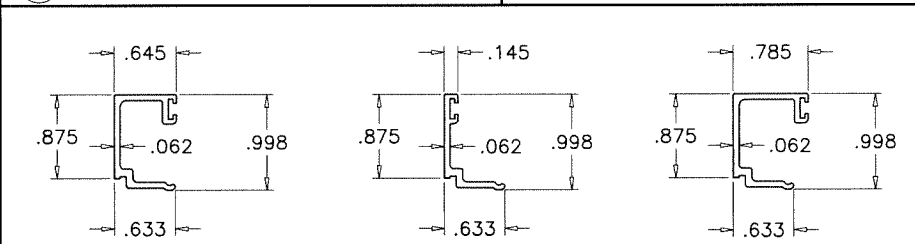
ITEM #	PART #	REQD.	DESCRIPTION	MATERIAL	MANF./SUPPLIER/REMARKS
1	105	1	FRAME HEAD	6063-T6	-
2	104	1	FRAME SILL	6063-T6	-
3	113	2	FRAME JAMB	6063-T6	-
4	108	1	FIXED MTG. RAIL	6063-T6	-
5	107	1	VENT TOP RAIL W/O HANDLE	6063-T6	-
5A	107	1	VENT TOP RAIL W/ HANDLE	6063-T6	-
6	106	1	VENT BOTTOM RAIL	6063-T6	-
7	102	2	VENT SIDE RAIL	6063-T6	-
8	115	AS RQD.	GLAZING BEAD (7/16" LAM. GLASS)	6063-T6	-
8A	103	AS RQD.	GLAZING BEAD (INSUL. LAM. GLASS)	6063-T6	-
8B	119	AS RQD.	GLAZING BEAD (5/16" LAM. GLASS)	6063-T6	-
9	-	2/VENT	SASH STOP	6063-T6	-
11	-	-	HEAD SCREW COVER	-	-
12	SL203P	2/ VENT	SWEEP LATCH	ZAMAK	SULLIVAN & ASSOC.
12.1	#8 X 1/2"	2/ LATCH	LATCH INST. SCREWS	ST. STEEL	OH SMS
13	-	2/ VENT	SPRING LOADED LATCH	6063-T6	ALTERNATE TO SWEEP LATCH
13.1	-	2/ LATCH	LATCH SPRING	ST. STEEL	SULLIVAN & ASSOC.
14	#10 X 1-3/4"	AS REQD.	FRAME & VENT ASSEMBLY SCREWS	CRS	PH SMS
16	E202	AS REQD.	GLAZING BEAD BULB	NEOPRENE	ULTRAFAB
18	W71221NK	AS REQD.	FIN SEAL W'STRIPPING	-	ULTRAFAB
18A	W71321NK	AS REQD.	FIN SEAL W'STRIPPING	-	ULTRAFAB
19A	-	4/ VENT	VENT GUIDE	CELCON	M&M PLASTICS
19B	-	2/ VENT	VENT TOP CAP	CELCON	M&M PLASTICS
19.1	#6 X 3/8"	1/ GUIDE	SASH GUIDE INST. SCREW	CRS	OH SMS TYPE B
20	-	2/VENT	SPIRAL BALANCE	-	-
20.1	#10 X 1-1/4"	1/ BALANCE	BALANCE INST. SCREW	-	OH SMS TYPE B
21	-	AS REQD.	GLASS SPACER	SILICONE	FRANK LOWE
22	-	1	5/16" BOX SCREEN	-	OPTIONAL
23	-	2/ LITE	SETTING BLOCK AT 1/4 POINTS (1/4" X 1" X 2" LONG)	EPDM	DUROMETER 80±5 SHORE A
24	-	2	RETICULATED FOAM Baffle 30 PPI	-	-
25	WL02	AS REQD.	AUTOMATIC LOCK	-	ROTO HARDWARE



7 VENT SIDE RAIL



5A VENT TOP RAIL W/ HANDLE



8 8A 8B GLAZING BEADS

SEALANT:
ALL JOINTS AND FRAME CONNECTIONS SEALED WITH WHITE/ALUMINUM COLORED GENERAL PURPOSE SILICONE.

Sealed: 10/16/2023



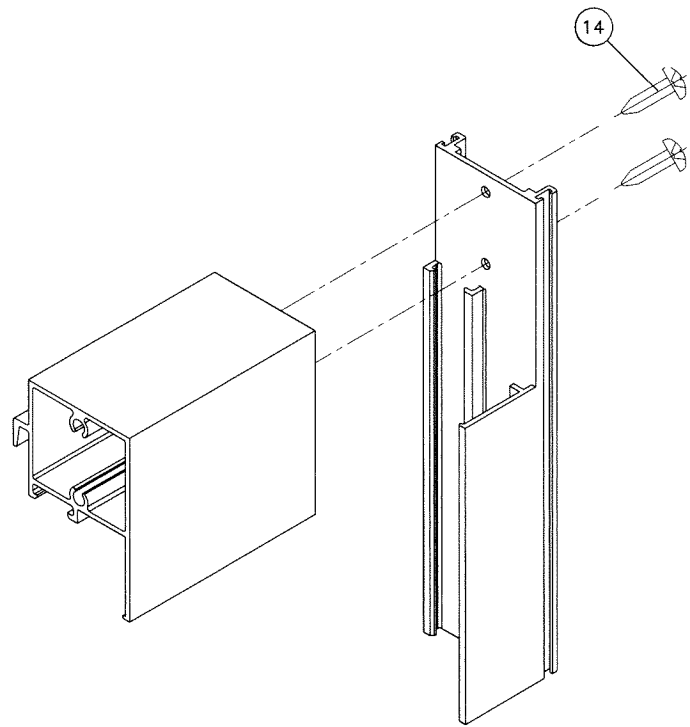
FL #30344

af c
AL-FAROOQ CORPORATION
ENGINEERS & PRODUCT DEVELOPMENT
9360 SUNSET DRIVE, SUITE 220
MIAMI, FLORIDA 33173
TEL. (305) 264-8100 FAX. (305) 262-6978
C.A.N. 3538

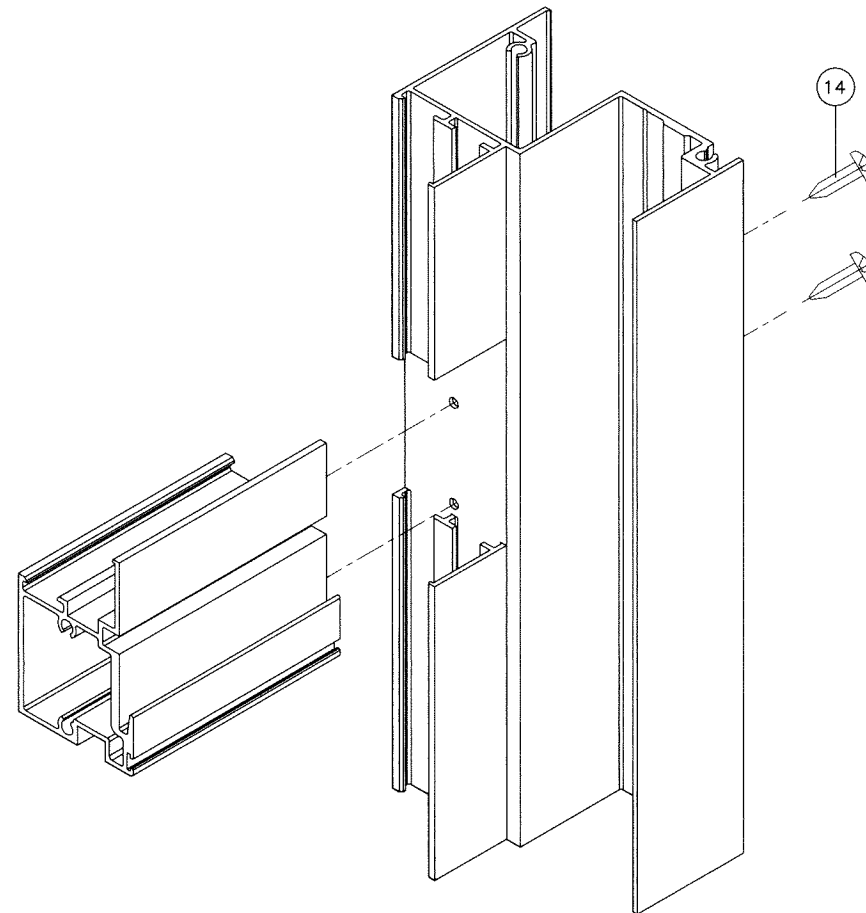
SERIES-100SH ALUM SINGLE HUNG WDW. (L.M.I.)
AMERICA'S BEST WINDOWS AND DOORS
1350 Park Central Blvd. S.
Pompano Beach, FL 33064
Tel. (954) 973-1362 Fax. (954) 973-1317

revisions:	no	date	by	description
date:	08-16-19	scale:	1/2" = 1"	
dr. by:	TARIQ	chk. by:		
drawing no.	19-82F			
sheet	7 of 8			

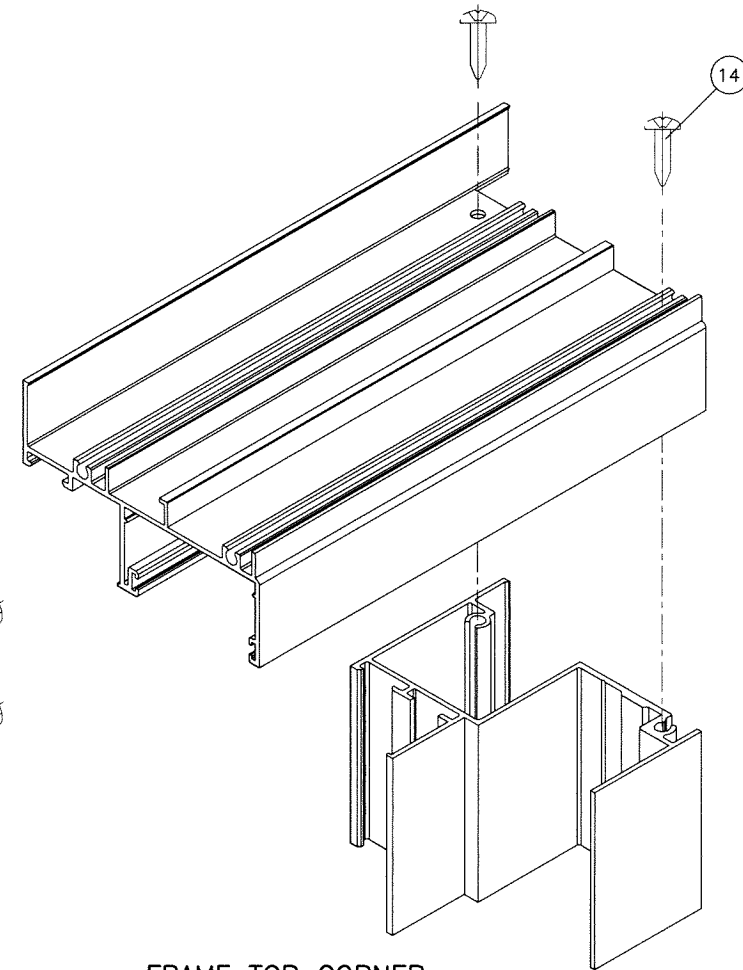
COMP-ANL\19-82F-ABW



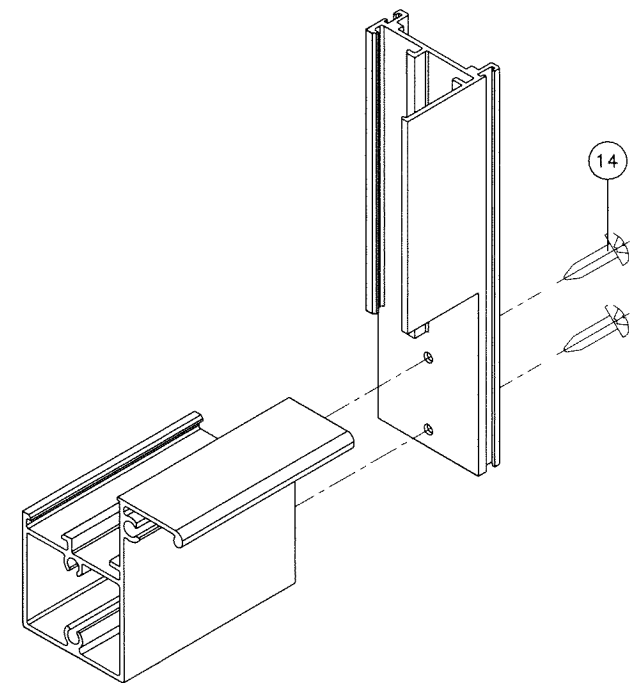
VENT TOP CORNER



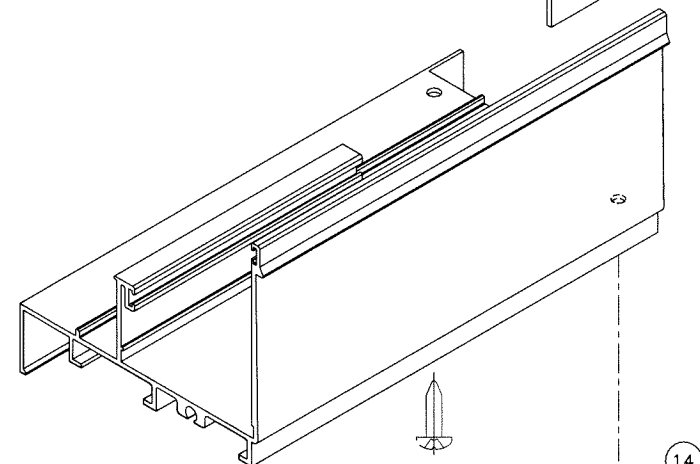
FIXED RAIL CORNER



FRAME TOP CORNER



VENT BOTTOM CORNER



FRAME BOTTOM CORNER

FL #30344



Sealed: 10/16/2023

af c
AL-FAROOQ CORPORATION
 ENGINEERS & PRODUCT DEVELOPMENT
 9360 SUNSET DRIVE, SUITE 220 (C.A.N. 3538)
 MIAMI, FLORIDA 33173
 TEL. (305) 264-8100 FAX. (305) 262-6978
 COMP-ANL \ 19-82F-ABW

SERIES-100SH ALUM SINGLE HUNG WDW. (L.M.I.)
AMERICA'S BEST WINDOWS AND DOORS
 1350 Park Central Blvd. S.
 Pompano Beach, FL 33064
 Tel. (954) 973-1362 Fax. (954) 973-1317

revisions:	
no	date by description

date: 08-16-19	scale: 1/2" = 1"	dr. by: TARIO	chk. by:
drawing no.			
19-82F			
sheet 8 of 8			