



[DBPR HOME](#) | [ABOUT DBPR](#) | [DBPR DIVISIONS](#) | [CONTACT DBPR](#)

[BCIS Home](#) | [Log In](#) | [User Registration](#) | [Hot Topics](#) | [Submit Surcharge](#) | [Stats & Facts](#) | [Publications](#) | [Contact Us](#) | [BCIS Site Map](#) | [Links](#) | [Search](#)



**Product Approval**  
USER: Public User

[Product Approval Menu](#) > [Product or Application Search](#) > [Application List](#) > **Application Detail**

OFFICE OF THE SECRETARY

FL #	FL30313-R4								
Application Type	Revision								
Code Version	2023								
Application Status	Approved								
Comments									
Archived	<input type="checkbox"/>								
Product Manufacturer	Americas Best Windows & Doors								
Address/Phone/Email	1350 Park Central Blvd. S. Pompano Beach, FL 33064 (954) 973-1362 abilitycorporation@live.com								
Authorized Signature	Felix Altamuro abilitycorporation@live.com								
Technical Representative									
Address/Phone/Email									
Quality Assurance Representative									
Address/Phone/Email									
Category	Windows								
Subcategory	Horizontal Slider								
Compliance Method	Evaluation Report from a Florida Registered Architect or a Licensed Florida Professional Engineer <input type="checkbox"/> Evaluation Report - Hardcopy Received								
Florida Engineer or Architect Name who developed the Evaluation Report	Jalal Farooq								
Florida License	PE-81223								
Quality Assurance Entity	Keystone Certifications, Inc.								
Quality Assurance Contract Expiration Date	07/25/2029								
Validated By	Abel Carrasco, PE <input checked="" type="checkbox"/> Validation Checklist - Hardcopy Received								
Certificate of Independence	<a href="#">FL30313_R4_COI_SS - Certificate of Independence 2023.pdf</a>								
Referenced Standard and Year (of Standard)	<table border="0"> <thead> <tr> <th><b>Standard</b></th> <th><b>Year</b></th> </tr> </thead> <tbody> <tr> <td>TAS 201</td> <td>1994</td> </tr> <tr> <td>TAS 202</td> <td>1994</td> </tr> <tr> <td>TAS 203</td> <td>1994</td> </tr> </tbody> </table>	<b>Standard</b>	<b>Year</b>	TAS 201	1994	TAS 202	1994	TAS 203	1994
<b>Standard</b>	<b>Year</b>								
TAS 201	1994								
TAS 202	1994								
TAS 203	1994								
Equivalence of Product Standards Certified By									
Sections from the Code									

Product Approval Method Method 1 Option D

Date Submitted 10/18/2023

Date Validated 10/20/2023

Date Pending FBC Approval 11/01/2023

Date Approved 12/13/2023

**Summary of Products**

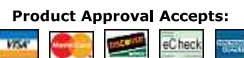
FL #	Model, Number or Name	Description
30313.1	Series 100HR Aluminum Horizontal Rolling Window	Large missile impact resistant aluminum horizontal rolling window.
<b>Limits of Use</b> <b>Approved for use in HVHZ:</b> Yes <b>Approved for use outside HVHZ:</b> Yes <b>Impact Resistant:</b> Yes <b>Design Pressure:</b> +80/-95 <b>Other:</b> See drawing 19-79F for span vs load combinations and installation details.		<b>Installation Instructions</b> <a href="#">FL30313 R4 II SS- 100 HR WDW (LMI) -DWG 19-79F 2023 R1.pdf</a> Verified By: Jalal Farooq PE 81223 Created by Independent Third Party: Yes <b>Evaluation Reports</b> <a href="#">FL30313 R4 AE SS- 100 HR WDW (LMI) -PAE 2023 R1.pdf</a> Created by Independent Third Party: Yes
30313.2	Series 100HR Aluminum Horizontal Rolling Window	Small missile impact resistant aluminum horizontal rolling window.
<b>Limits of Use</b> <b>Approved for use in HVHZ:</b> Yes <b>Approved for use outside HVHZ:</b> Yes <b>Impact Resistant:</b> Yes <b>Design Pressure:</b> +80/-95 <b>Other:</b> See drawing 19-80F for span vs load combinations and installation details.		<b>Installation Instructions</b> <a href="#">FL30313 R4 II SS- 100 HR WDW (SMI) -DWG 19-80F 2023 R1.pdf</a> Verified By: Jalal Farooq PE # 81223 Created by Independent Third Party: Yes <b>Evaluation Reports</b> <a href="#">FL30313 R4 AE SS- 100 HR WDW (SMI) -PAE 2023 R1.pdf</a> Created by Independent Third Party: Yes

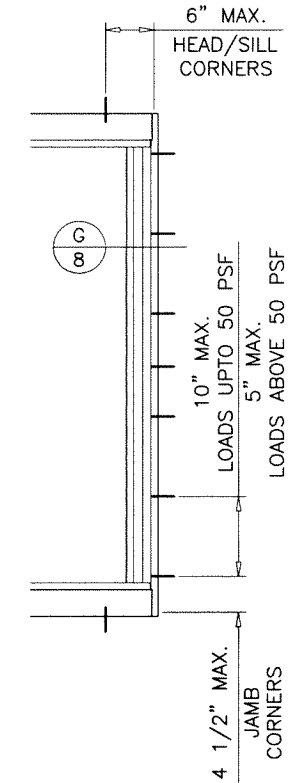
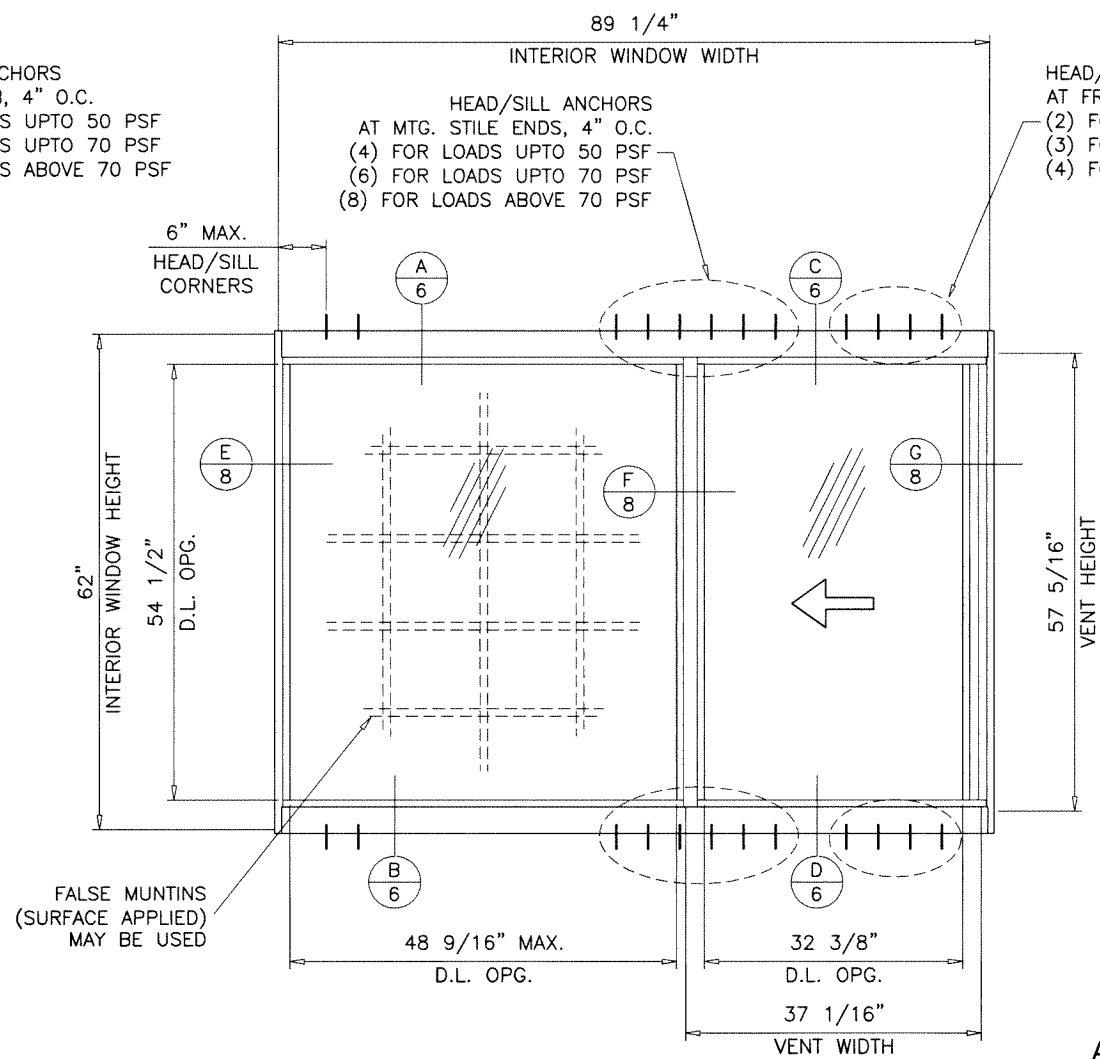
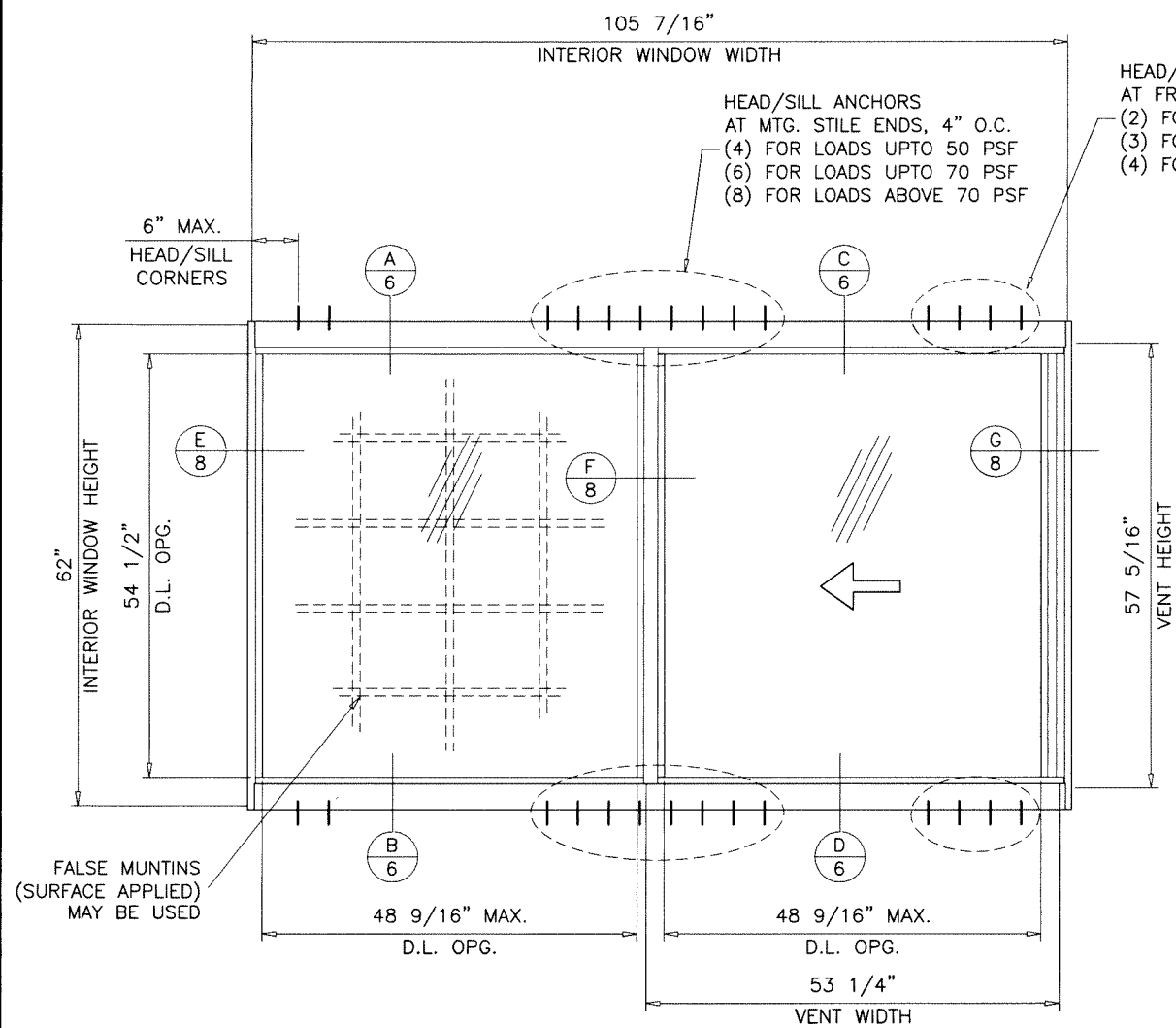
[Back](#) [Next](#)

Contact Us :: [2601 Blair Stone Road, Tallahassee FL 32399](#) Phone: 850-487-1824

The State of Florida is an AA/EEO employer. [Copyright 2007-2013 State of Florida.](#) :: [Privacy Statement](#) :: [Accessibility Statement](#) :: [Refund Statement](#)

Under Florida law, email addresses are public records. If you do not want your e-mail address released in response to a public-records request, do not send electronic mail to this entity. Instead, contact the office by phone or by traditional mail. If you have any questions, please contact 850.487.1395. \*Pursuant to Section 455.275(1), Florida Statutes, effective October 1, 2012, licensees licensed under Chapter 455, F.S. must provide the Department with an email address if they have one. The emails provided may be used for official communication with the licensee. However email addresses are public record. If you do not wish to supply a personal address, please provide the Department with an email address which can be made available to the public. To determine if you are a licensee under Chapter 455, F.S., please click [here](#).





**TYPICAL ELEVATIONS**  
OX

**ANCHORED JAMB OPTION**

**SERIES-100HR**  
**ALUMINUM HORIZONTAL ROLLING WINDOW**

DESIGN LOAD RATINGS FOR THESE WINDOWS TO BE AS PER CHARTS SHOWN ON SHEETS 4 AND 5.

APPROVAL APPLIES TO SINGLE UNITS OR SIDE BY SIDE COMBINATIONS OF H.R./H.R. OR HORIZONTAL ROLLING WITH OTHER WINDOW TYPES IN MODULES OF TWO OR MORE WINDOWS USING F.B.C. APPROVED MULLIONS IN BETWEEN.

LOWER DESIGN PRESSURE FROM WINDOWS OR MULLION APPROVAL WILL APPLY TO ENTIRE SYSTEM.

THIS PRODUCT HAS BEEN DESIGNED AND TESTED TO COMPLY WITH THE REQUIREMENTS OF THE 2020 (7TH EDITION)/2023 (8TH EDITION) FLORIDA BUILDING CODE INCLUDING HIGH VELOCITY HURRICANE ZONE (HVHZ).

1BY OR 2BY WOOD BUCKS & BUCK FASTENERS BY OTHERS, MUST BE DESIGNED AND INSTALLED ADEQUATELY TO TRANSFER APPLIED PRODUCT LOADS TO THE BUILDING STRUCTURE.

ANCHORS SHALL BE CORROSION RESISTANT, SPACED AS SHOWN ON DETAILS AND INSTALLED PER MANUF'S INSTRUCTIONS. SPECIFIED EMBEDMENT TO BASE MATERIAL SHALL BE BEYOND WALL DRESSING OR STUCCO.

A LOAD DURATION INCREASE IS USED IN DESIGN OF ANCHORS INTO WOOD ONLY.

ALL SHIMS TO BE HIGH IMPACT, NON-METALLIC AND NON-COMPRESSIBLE.

MATERIALS INCLUDING BUT NOT LIMITED TO STEEL/METAL SCREWS, THAT COME INTO CONTACT WITH OTHER DISSIMILAR MATERIALS SHALL MEET THE REQUIREMENTS OF THE 2020/2023 FLORIDA BLDG. CODE & ADOPTED STANDARDS.

THIS PRODUCT APPROVAL IS GENERIC AND DOES NOT PROVIDE INFORMATION FOR A SITE SPECIFIC PROJECT, i.e. LIFE SAFETY OF THIS PRODUCT, ADEQUACY OF STRUCTURE RECEIVING THIS PRODUCT AND SEALING AROUND OPENING FOR WATER INFILTRATION RESISTANCE ETC. CONDITIONS NOT SHOWN IN THIS DRAWING ARE TO BE ANALYZED SEPARATELY, AND TO BE REVIEWED BY BUILDING OFFICIAL.

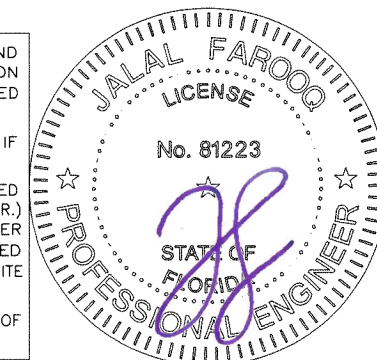
DESIGN LOADS SHOWN ARE BASED ON 'ALLOWABLE STRESS DESIGN (ASD)'. MANUFACTURER'S LABEL SHALL BE LOCATED ON A READILY VISIBLE LOCATION IN ACCORDANCE WITH SECTION 1709.9.3 OF FLORIDA BUILDING CODE. LABELING TO COMPLY WITH SECTION 1709.9.2.

THESE WINDOWS ARE RATED FOR LARGE & SMALL MISSILE IMPACT. SHUTTERS ARE NOT REQUIRED.

Sealed: 10/16/2023

FL #30313

- A- CONTRACTOR TO BE RESPONSIBLE FOR THE SELECTION, PURCHASE AND INSTALLATION OF THIS PRODUCT BASED ON THIS PRODUCT EVALUATION PROVIDED HE/SHE DOES NOT DEVIATE FROM THE CONDITIONS DETAILED ON THIS DOCUMENT.
- B- THIS PRODUCT EVALUATION DOCUMENT WILL BE CONSIDERED INVALID IF ALTERED BY ANY MEANS.
- C- SITE SPECIFIC PROJECTS SHALL BE PREPARED BY A FLORIDA REGISTERED ENGINEER OR ARCHITECT WHICH WILL BECOME THE ENGINEER OF RECORD (E.O.R.) FOR THE PROJECT AND WHO WILL BE RESPONSIBLE FOR THE PROPER USE OF THE P.E.D. ENGINEER OF RECORD, ACTING AS A DELEGATED ENGINEER TO THE P.E.D. ENGINEER SHALL SUBMIT TO THIS LATTER THE SITE SPECIFIC DRAWINGS FOR REVIEW.
- D- THIS P.E.D. SHALL BEAR THE DATE AND ORIGINAL SEAL AND SIGNATURE OF THE PROFESSIONAL ENGINEER OF RECORD THAT PREPARED IT.

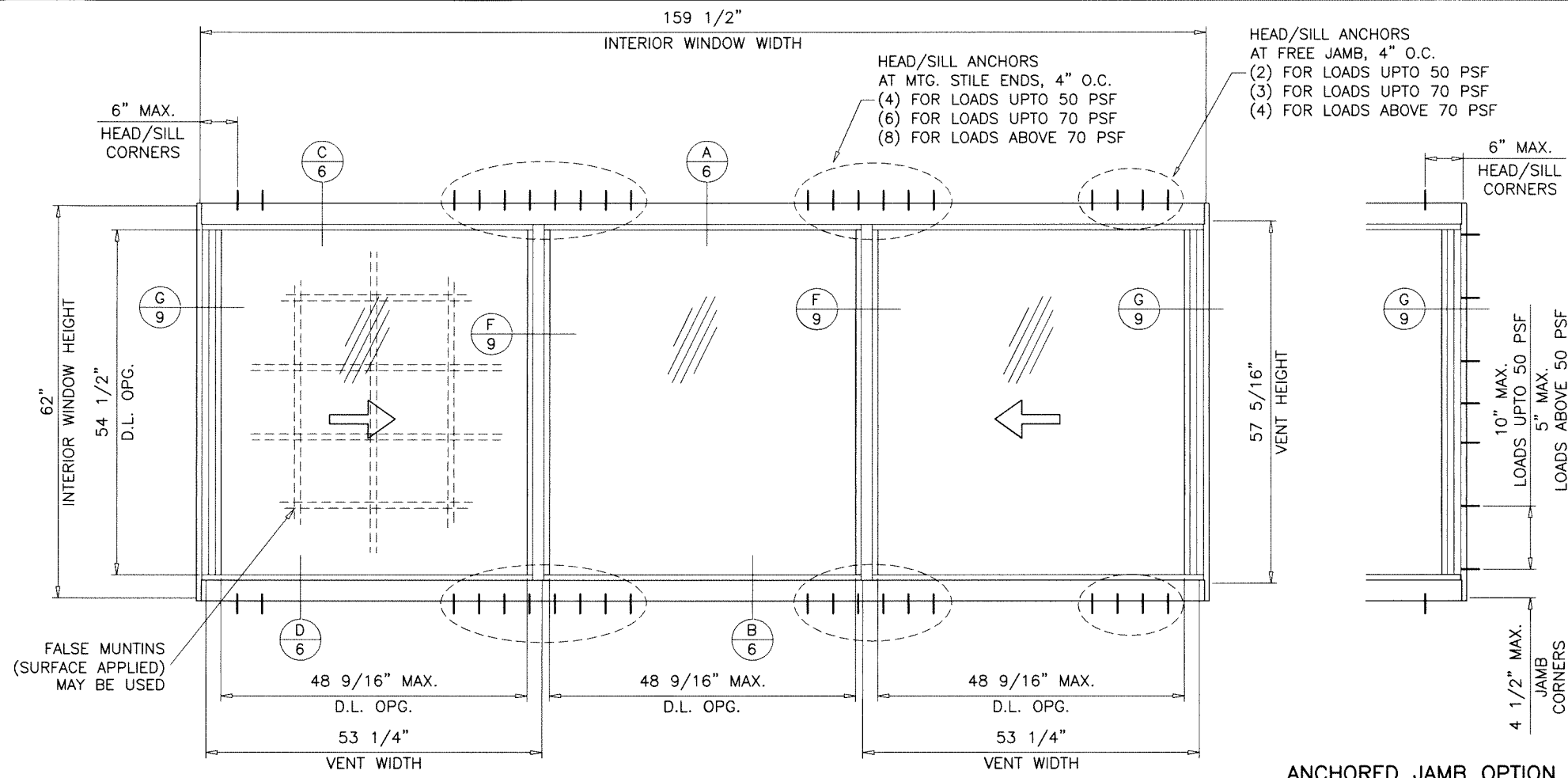


**af c**  
**AL-FAROOQ CORPORATION**  
ENGINEERS & PRODUCT DEVELOPMENT  
9360 SUNSET DRIVE, SUITE 220 (C.A.N. 3538)  
MIAMI, FLORIDA 33173  
TEL. (305) 264-8100 FAX. (305) 262-6978  
COMP-ANL\19-79F-ABW

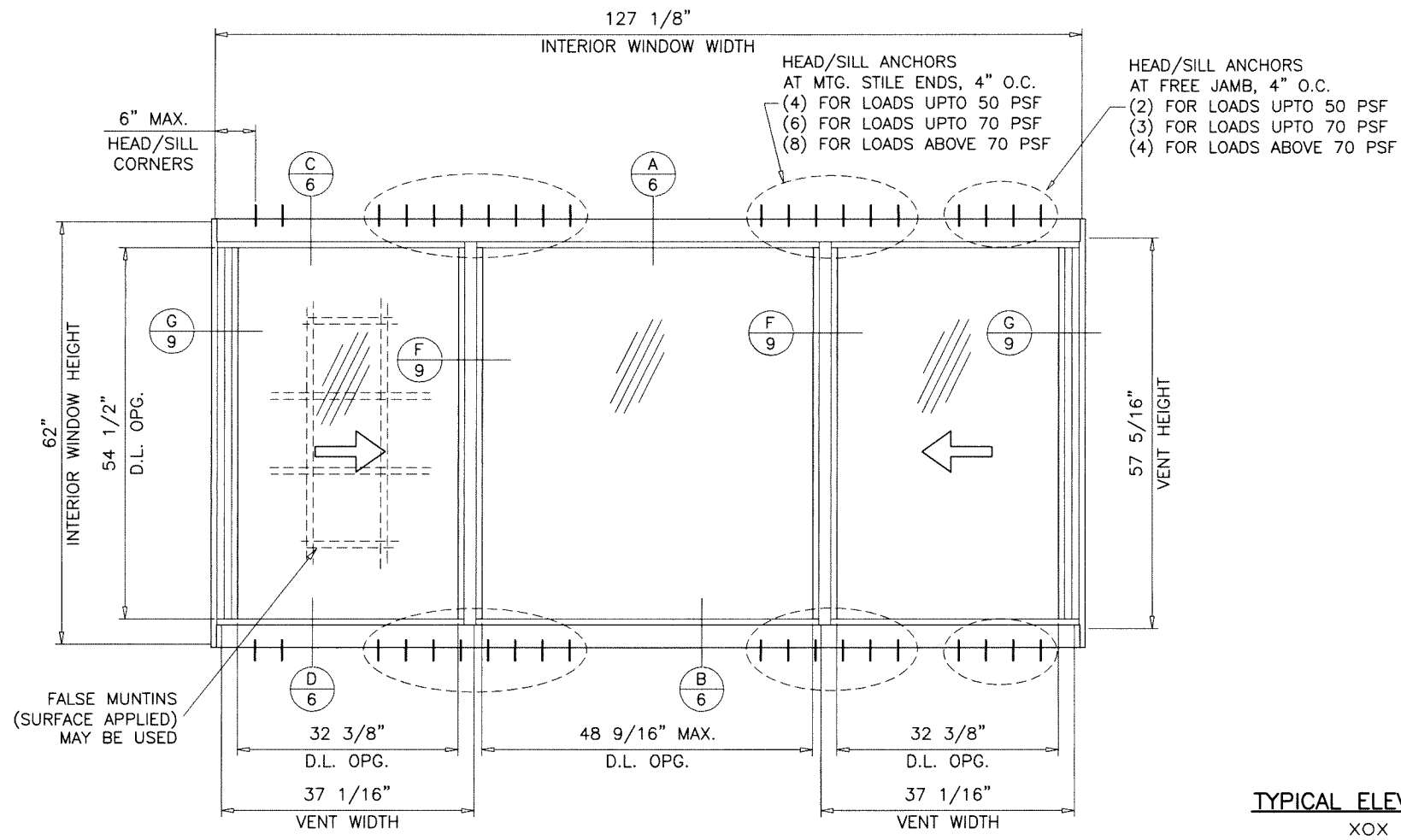
SERIES-100HR ALUM HORIZ. ROLLING WDW. (L.M.I.)  
**AMERICA'S BEST WINDOWS AND DOORS**  
1350 Park Central Blvd. S.  
Pompano Beach, FL 33064  
Tel. (954) 973-1362 Fax. (954) 973-1317

no.	date	description
A	12.10.19	GLASS TYPE 'C' ADDED
B	07.03.23	UPDATED TO 2023 FBC
C	10.05.23	MANUF. ADDRESS REVISED

date: 07-25-19  
scale: 1/2"=1'-0"  
dr. by: TARIQ  
chk. by:  
drawing no. 19-79F  
sheet 1 of 13

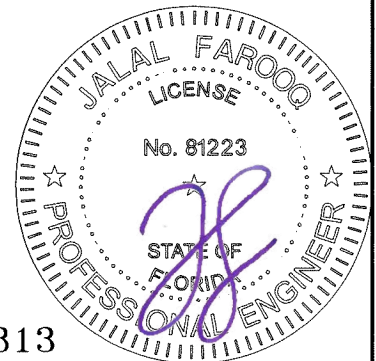


**ANCHORED JAMB OPTION**



**TYPICAL ELEVATIONS**  
XOX

Sealed: 10/16/2023



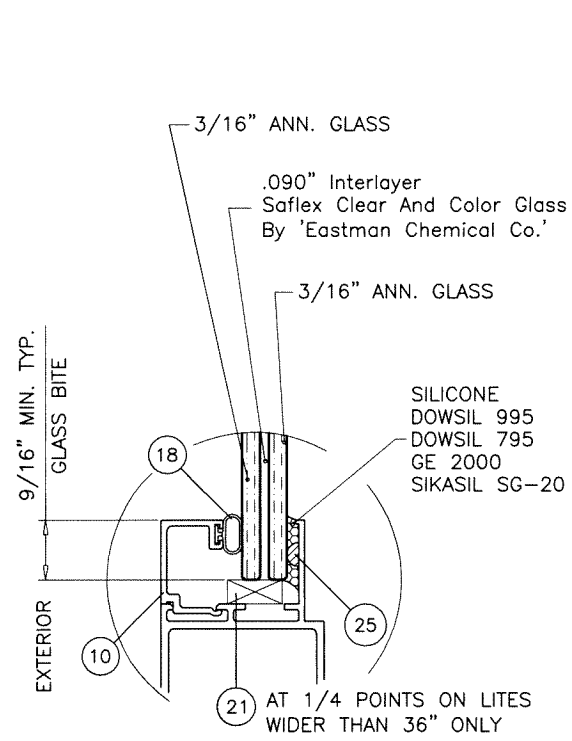
FL #30313

**afcc**  
**AL-FAROOQ CORPORATION**  
 ENGINEERS & PRODUCT DEVELOPMENT  
 9360 SUNSET DRIVE, SUITE 220 (C.A.N. 3538)  
 MIAMI, FLORIDA 33173  
 TEL. (305) 264-8100 FAX. (305) 262-6978  
 COMP-ANL\19-79F-ABW

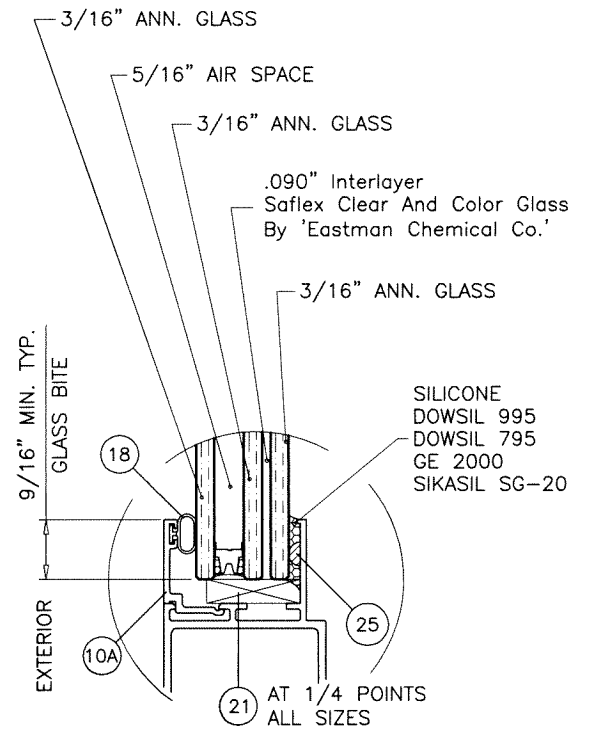
SERIES-100HR ALUM HORIZ. ROLLING WDW. (L.M.I.)  
**AMERICA'S BEST WINDOWS AND DOORS**  
 1350 Park Central Blvd. S.  
 Pompano Beach, FL 33064  
 Tel. (954) 973-1362 Fax. (954) 973-1317

revisions:	no	date	by	description

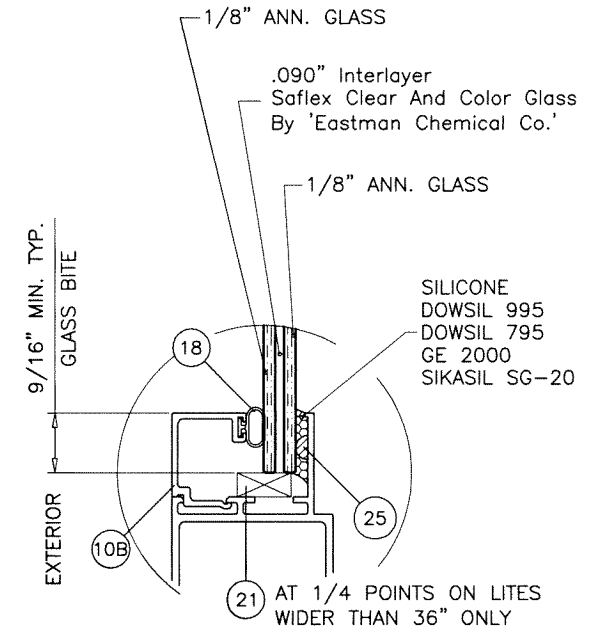
date: 07-25-19  
 scale: 1/2" = 1'-0"  
 dr. by: TARIQ  
 chk. by:  
 drawing no.  
**19-79F**  
 sheet 2 of 13



**GLASS TYPE 'A'**  
7/16" OVERALL LAM. GLASS

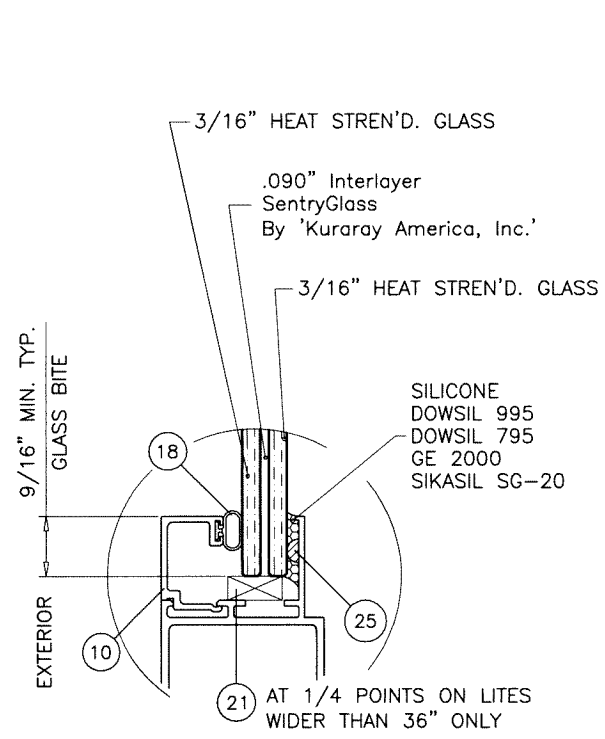


**GLASS TYPE 'Ai'**  
15/16" OVERALL INSUL. LAM. GLASS

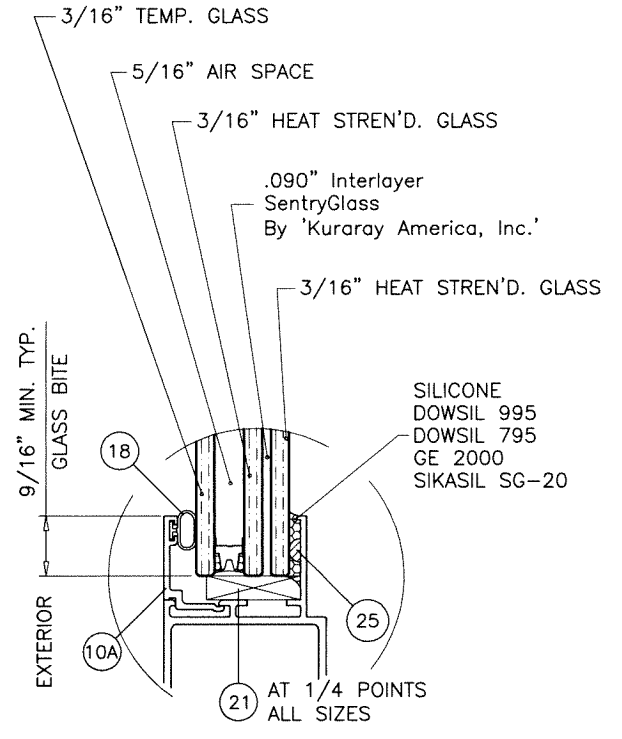


**GLASS TYPE 'C'**  
5/16" OVERALL LAM. GLASS

NOTE:  
EXTERIOR LITE OF GLASS TYPE 'Ai' TO BE TEMPERED  
FOR INSTALLATIONS ABOVE 30 FT. OF GRADE.

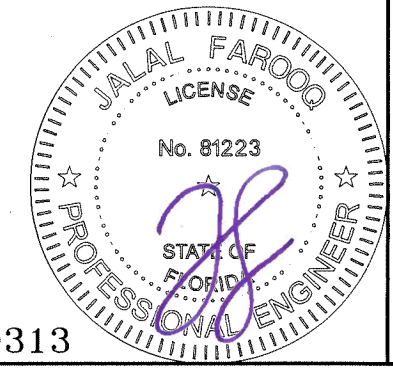


**GLASS TYPE 'B'**  
7/16" OVERALL LAM. GLASS



**GLASS TYPE 'Bi'**  
15/16" OVERALL INSUL. LAM. GLASS

Sealed: 10/16/2023



FL #30313

**afc**

**AL-FAROOQ CORPORATION**  
ENGINEERS & PRODUCT DEVELOPMENT  
9360 SUNSET DRIVE, SUITE 220 (C.A.N. 3538)  
MIAMI, FLORIDA 33173 TEL. (305) 262-6978 FAX. (305) 262-6978  
COMP-ANL\19-79F-ABW

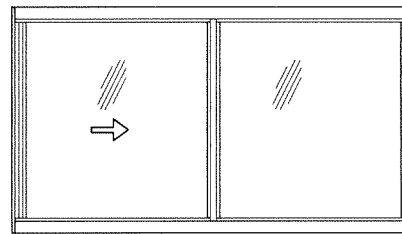
---

SERIES-100HR ALUM HORIZ. ROLLING WDW. (L.M.I.)  
**AMERICA'S BEST WINDOWS AND DOORS**  
1350 Park Central Blvd. S.  
Pompano Beach, FL 33064  
Tel. (954) 973-1362 Fax. (954) 973-1317

revisions:	
no	date by description

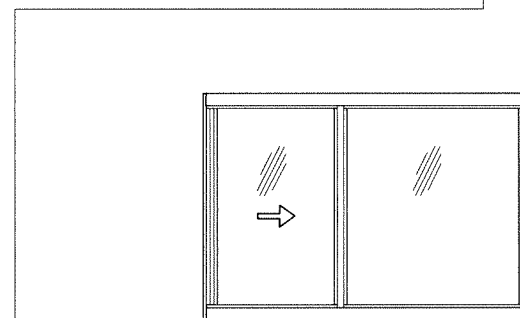
date: 07-25-19	scale: 1/2" = 1"	dr. by: TARIQ	chk. by:
drawing no.		<b>19-79F</b>	
sheet 3 of 13			

DESIGN LOAD CAPACITY - PSF (XO OR OX SIZES)							
INTERIOR FRAME DIMS.		W/O REINF.		WITH REINF.			
		GLASS 'A' & 'Ai'		GLASS TYPES 'B' & 'Bi'			
		W/ OR W/O JAMB ANC.		W/O JAMB ANCHORS	W/ JAMB ANCHORS		
WIDTH	HEIGHT	EXT.(+)	INT.(-)	EXT.(+)	INT.(-)	EXT.(+)	INT.(-)
25-1/2"	25"	70.0	70.0	80.0	95.0	80.0	95.0
36"		70.0	70.0	80.0	95.0	80.0	95.0
52-1/8"		70.0	70.0	80.0	95.0	80.0	95.0
73"		70.0	70.0	80.0	95.0	80.0	95.0
75-1/8"		70.0	70.0	80.0	95.0	80.0	95.0
105-1/4"		70.0	70.0	80.0	95.0	80.0	95.0
110"		70.0	70.0	80.0	95.0	80.0	95.0
25-1/2"	37-3/8"	70.0	70.0	80.0	95.0	80.0	95.0
36"		70.0	70.0	80.0	95.0	80.0	95.0
52-1/8"		70.0	70.0	80.0	95.0	80.0	95.0
73"		70.0	70.0	80.0	95.0	80.0	95.0
75-1/8"		70.0	70.0	80.0	95.0	80.0	95.0
105-1/4"		70.0	70.0	80.0	95.0	80.0	95.0
110"		70.0	70.0	80.0	95.0	80.0	95.0
25-1/2"	49-5/8"	70.0	70.0	80.0	95.0	80.0	95.0
36"		70.0	70.0	80.0	95.0	80.0	95.0
52-1/8"		70.0	70.0	80.0	95.0	80.0	95.0
73"		70.0	70.0	80.0	95.0	80.0	95.0
75-1/8"		70.0	70.0	80.0	95.0	80.0	95.0
105-1/4"		-	-	80.0	95.0	80.0	95.0
110"		-	-	80.0	95.0	80.0	95.0
25-1/2"	55"	70.0	70.0	80.0	95.0	80.0	95.0
36"		70.0	70.0	80.0	95.0	80.0	95.0
52-1/8"		70.0	70.0	80.0	95.0	80.0	95.0
73"		70.0	70.0	80.0	95.0	80.0	95.0
75-1/8"		70.0	70.0	80.0	95.0	80.0	95.0
105-1/4"		-	-	80.0	95.0	80.0	95.0
110"		-	-	80.0	95.0	80.0	95.0
25-1/2"	62"	70.0	70.0	80.0	95.0	80.0	95.0
36"		70.0	70.0	80.0	95.0	80.0	95.0
52-1/8"		70.0	70.0	80.0	95.0	80.0	95.0
73"		70.0	70.0	80.0	94.6	80.0	95.0
75-1/8"		70.0	70.0	80.0	92.7	80.0	95.0
105-1/4"	-	-	76.6	76.6	80.0	95.0	
23"	23"	70.0	70.0	80.0	95.0	80.0	95.0
47"		70.0	70.0	80.0	95.0	80.0	95.0
71"		70.0	70.0	80.0	95.0	80.0	95.0
83"		70.0	70.0	80.0	95.0	80.0	95.0
95"		70.0	70.0	80.0	95.0	80.0	95.0
107"		70.0	70.0	80.0	95.0	80.0	95.0
23"	35"	70.0	70.0	80.0	95.0	80.0	95.0
47"		70.0	70.0	80.0	95.0	80.0	95.0
71"		70.0	70.0	80.0	95.0	80.0	95.0
83"		70.0	70.0	80.0	95.0	80.0	95.0
95"		70.0	70.0	80.0	95.0	80.0	95.0
107"		70.0	70.0	80.0	95.0	80.0	95.0
23"	47"	70.0	70.0	80.0	95.0	80.0	95.0
47"		70.0	70.0	80.0	95.0	80.0	95.0
71"		70.0	70.0	80.0	95.0	80.0	95.0
83"		70.0	70.0	80.0	95.0	80.0	95.0
95"		70.0	70.0	80.0	95.0	80.0	95.0
107"		-	-	80.0	95.0	80.0	95.0
23"	59"	70.0	70.0	80.0	95.0	80.0	95.0
47"		70.0	70.0	80.0	95.0	80.0	95.0
71"		70.0	70.0	80.0	95.0	80.0	95.0
83"		-	-	80.0	95.0	80.0	95.0
95"		-	-	80.0	90.8	80.0	95.0
107"		-	-	80.0	87.1	80.0	95.0



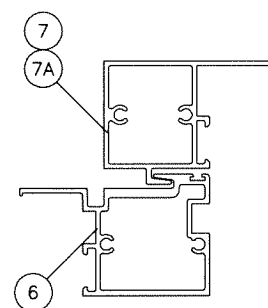
OPERATING VENTS TO BE 1/2 OF WINDOW WIDTH

'XO OR OX'

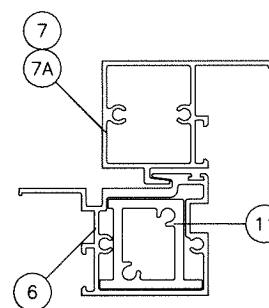


OPERATING VENTS TO BE 1/4 TO 1/3 OF WINDOW WIDTH

'XO OR OX'



FIX. STILE  
W/O REINF.



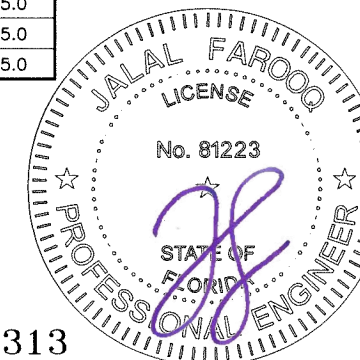
FIX. STILE  
WITH REINF.

EXTERIOR LOADS SHOWN IN CHARTS ARE FOR WINDOWS WITH APPLIED RISER AT FRAME SILL. FOR STANDARD SILL (NO RISER) LIMIT MAX. EXTERIOR LOADS TO +66.7 PSF SEE SHEET 6 FOR DETAILS.

NOTE:  
GLASS CAPACITIES ON THIS SHEET ARE BASED ON ASTM E1300-09 (3 SEC. GUSTS) AND FLORIDA BUILDING COMMISSION DECLARATORY STATEMENT DCA05-DEC-219

DESIGN LOAD CAPACITY - PSF (XO OR OX SIZES)							
INTERIOR FRAME DIMS.		W/O REINF.		WITH REINF.			
		GLASS 'A' & 'Ai'		GLASS TYPES 'B' & 'Bi'			
		W/ OR W/O JAMB ANC.		W/O JAMB ANCHORS	W/ JAMB ANCHORS		
WIDTH	HEIGHT	EXT.(+)	INT.(-)	EXT.(+)	INT.(-)	EXT.(+)	INT.(-)
25-1/2"	25"	70.0	70.0	80.0	95.0	80.0	95.0
36"		70.0	70.0	80.0	95.0	80.0	95.0
52-1/8"		70.0	70.0	80.0	95.0	80.0	95.0
73"		70.0	70.0	80.0	95.0	80.0	95.0
75-1/8"		70.0	70.0	80.0	95.0	80.0	95.0
105-1/4"		70.0	70.0	80.0	95.0	80.0	95.0
110"		70.0	70.0	80.0	95.0	80.0	95.0
25-1/2"	37-3/8"	70.0	70.0	80.0	95.0	80.0	95.0
36"		70.0	70.0	80.0	95.0	80.0	95.0
52-1/8"		70.0	70.0	80.0	95.0	80.0	95.0
73"		70.0	70.0	80.0	95.0	80.0	95.0
75-1/8"		70.0	70.0	80.0	95.0	80.0	95.0
105-1/4"		-	-	80.0	95.0	80.0	95.0
110"		-	-	80.0	95.0	80.0	95.0
25-1/2"	49-5/8"	70.0	70.0	80.0	95.0	80.0	95.0
36"		70.0	70.0	80.0	95.0	80.0	95.0
52-1/8"		70.0	70.0	80.0	95.0	80.0	95.0
73"		-	-	80.0	95.0	80.0	95.0
75-1/8"		-	-	80.0	95.0	80.0	95.0
25-1/2"	55"	70.0	70.0	80.0	95.0	80.0	95.0
36"		70.0	70.0	80.0	95.0	80.0	95.0
52-1/8"		70.0	70.0	80.0	95.0	80.0	95.0
73"		-	-	80.0	95.0	80.0	95.0
75-1/8"		-	-	80.0	95.0	80.0	95.0
25-1/2"	62"	70.0	70.0	80.0	95.0	80.0	95.0
36"		70.0	70.0	80.0	95.0	80.0	95.0
52-1/8"		70.0	70.0	80.0	95.0	80.0	95.0
73"		-	-	79.1	79.1	80.0	95.0
75-1/8"		-	-	78.1	78.1	80.0	95.0
23"	23"	70.0	70.0	80.0	95.0	80.0	95.0
47"		70.0	70.0	80.0	95.0	80.0	95.0
71"		70.0	70.0	80.0	95.0	80.0	95.0
83"		70.0	70.0	80.0	95.0	80.0	95.0
95"		70.0	70.0	80.0	95.0	80.0	95.0
107"		70.0	70.0	80.0	95.0	80.0	95.0
23"	35"	70.0	70.0	80.0	95.0	80.0	95.0
47"		70.0	70.0	80.0	95.0	80.0	95.0
71"		70.0	70.0	80.0	95.0	80.0	95.0
83"		70.0	70.0	80.0	95.0	80.0	95.0
95"		70.0	70.0	80.0	95.0	80.0	95.0
107"		-	-	80.0	95.0	80.0	95.0
23"	47"	70.0	70.0	80.0	95.0	80.0	95.0
47"		70.0	70.0	80.0	95.0	80.0	95.0
71"		70.0	70.0	80.0	95.0	80.0	95.0
83"		-	-	80.0	95.0	80.0	95.0
95"			-	-	80.0	95.0	80.0
23"	59"	70.0	70.0	80.0	95.0	80.0	95.0
47"		70.0	70.0	80.0	95.0	80.0	95.0
71"		-	-	80.0	90.9	80.0	95.0
83"		-	-	80.0	86.5	80.0	95.0

Sealed: 10/16/2023



FL #30313

**af c**

**AL-FAROOQ CORPORATION**  
ENGINEERS & PRODUCT DEVELOPMENT  
9360 SUNSET DRIVE, SUITE 220  
MIAMI, FLORIDA 33173 (C.A.N. 3538)  
TEL. (305) 264-8100 FAX. (305) 262-6978  
COMP-ANL 19-79F-ABW

SERIES-100HR ALUM HORIZ. ROLLING WDW. (L.M.I.)

**AMERICA'S BEST WINDOWS AND DOORS**  
1350 Park Central Blvd. S.  
Pompano Beach, FL 33064  
Tel. (954) 973-1362 Fax. (954) 973-1317

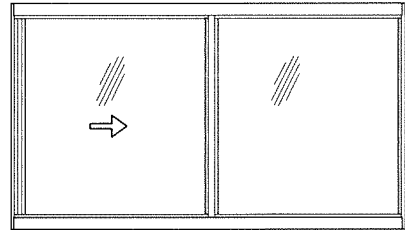
revisions:	no	date	by	description

date: 07-25-19  
scale: -  
dr. by: TARIQ  
chk. by:

drawing no.  
**19-79F**

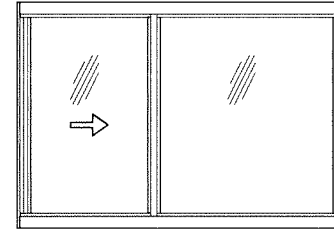
sheet 4 of 13

DESIGN LOAD CAPACITY - PSF (XO OR OX SIZES)			
INTERIOR FRAME DIMS.		W/O REINF.	
		GLASS TYPE 'C'	
		W/ OR W/O JAMB ANC.	
WIDTH	HEIGHT	EXT.(+)	INT.(-)
25-1/2"	25"	55.0	55.0
36"		55.0	55.0
52-1/8"		55.0	55.0
73"		55.0	55.0
75-1/8"		55.0	55.0
105-1/4"		55.0	55.0
110"	55.0	55.0	
25-1/2"	37-3/8"	55.0	55.0
36"		55.0	55.0
52-1/8"		55.0	55.0
73"		55.0	55.0
75-1/8"		55.0	55.0
105-1/4"		55.0	55.0
110"	55.0	55.0	
25-1/2"	49-5/8"	55.0	55.0
36"		55.0	55.0
52-1/8"		55.0	55.0
73"		55.0	55.0
75-1/8"	55.0	55.0	
25-1/2"	55"	55.0	55.0
36"		55.0	55.0
52-1/8"		55.0	55.0
73"		55.0	55.0
75-1/8"	55.0	55.0	
25-1/2"	62"	55.0	55.0
36"		55.0	55.0
52-1/8"		55.0	55.0
73"		55.0	55.0
75-1/8"	55.0	55.0	
23"	23"	55.0	55.0
47"		55.0	55.0
71"		55.0	55.0
83"		55.0	55.0
95"		55.0	55.0
107"	55.0	55.0	
23"	35"	55.0	55.0
47"		55.0	55.0
71"		55.0	55.0
83"		55.0	55.0
95"		55.0	55.0
107"	55.0	55.0	
23"	47"	55.0	55.0
47"		55.0	55.0
71"		55.0	55.0
83"		55.0	55.0
95"	55.0	55.0	
23"	59"	55.0	55.0
47"		55.0	55.0
71"		55.0	55.0



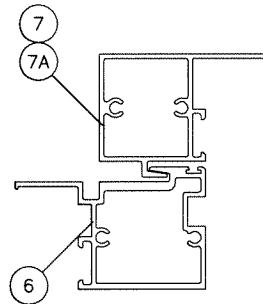
OPERATING VENTS TO BE 1/2 OF WINDOW WIDTH

'XO OR OX'



OPERATING VENTS TO BE 1/4 TO 1/3 OF WINDOW WIDTH

'XO OR OX'



FIX. STILE  
W/O REINF.

DESIGN LOAD CAPACITY - PSF (XO OR OX SIZES)			
INTERIOR FRAME DIMS.		W/O REINF.	
		GLASS TYPE 'C'	
		W/ OR W/O JAMB ANC.	
WIDTH	HEIGHT	EXT.(+)	INT.(-)
25-1/2"	25"	55.0	55.0
36"		55.0	55.0
52-1/8"		55.0	55.0
73"		55.0	55.0
75-1/8"		55.0	55.0
105-1/4"		55.0	55.0
110"	55.0	55.0	
25-1/2"	37-3/8"	55.0	55.0
36"		55.0	55.0
52-1/8"		55.0	55.0
73"		55.0	55.0
75-1/8"	55.0	55.0	
25-1/2"	49-5/8"	55.0	55.0
36"		55.0	55.0
25-1/2"	55"	55.0	55.0
36"		55.0	55.0
52-1/8"		55.0	55.0
25-1/2"	62"	55.0	55.0
36"		55.0	55.0
52-1/8"		55.0	55.0
23"	23"	55.0	55.0
47"		55.0	55.0
71"		55.0	55.0
83"		55.0	55.0
95"		55.0	55.0
107"	55.0	55.0	
23"	35"	55.0	55.0
47"		55.0	55.0
71"		55.0	55.0
83"		55.0	55.0
95"	55.0	55.0	
23"	47"	55.0	55.0
47"		55.0	55.0
71"		55.0	55.0
23"	59"	55.0	55.0
47"		55.0	55.0

**af c**  
**AL-FAROOQ CORPORATION**  
 ENGINEERS & PRODUCT DEVELOPMENT  
 9360 SUNSET DRIVE, SUITE 220 (C.A.N. 3538)  
 MIAMI, FLORIDA 33173 FAX. (305) 262-6978  
 TEL. (305) 264-8100

SERIES-100HR ALUM. HORIZ. ROLLING WDW. (L.M.I.)  
**AMERICA'S BEST WINDOWS AND DOORS**  
 1350 Park Central Blvd. S.  
 Pompano Beach, FL 33064  
 Tel. (954) 973-1362 Fax. (954) 973-1317

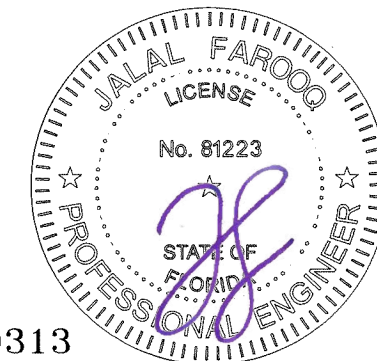
revisions:	no	date	by	description

date: 07-25-19  
 scale: -  
 dr. by: TARIQ  
 chk. by:

drawing no.  
**19-79F**  
 sheet 4.1 of 13

NOTE:  
 GLASS CAPACITIES ON THIS SHEET ARE  
 BASED ON ASTM E1300-09 (3 SEC. GUSTS)  
 AND FLORIDA BUILDING COMMISSION  
 DECLARATORY STATEMENT DCA05-DEC-219

Sealed: 10/16/2023

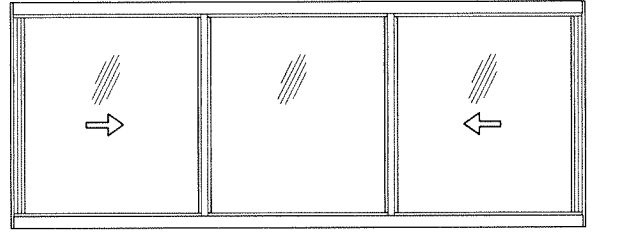


FL #30313



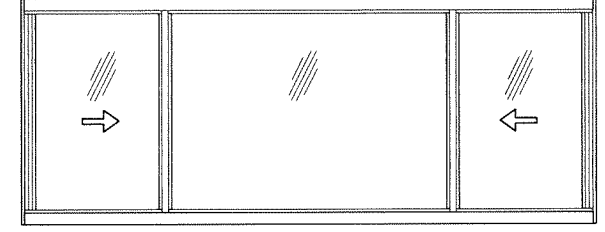


DESIGN LOAD CAPACITY - PSF (XOX SIZES)			
INTERIOR FRAME DIMS.		W/O REINF.	
		GLASS TYPE 'C'	
WIDTH	HEIGHT	W/ OR W/O JAMB ANC. EXT.(+)	INT.(-)
73"	25"	55.0	55.0
105-1/4"		55.0	55.0
110"		55.0	55.0
111"		55.0	55.0
73"	37-3/8"	55.0	55.0
105-1/4"		55.0	55.0
110"		55.0	55.0
111"	49-5/8"	55.0	55.0
73"		55.0	55.0
105-1/4"		55.0	55.0
110"	55"	55.0	55.0
111"		55.0	55.0
73"		55.0	55.0
105-1/4"	62"	55.0	55.0
110"		55.0	55.0
111"		55.0	55.0
71"	23"	55.0	55.0
83"		55.0	55.0
95"		55.0	55.0
107"		55.0	55.0
119"		55.0	55.0
131"		55.0	55.0
143"		55.0	55.0
155"	55.0	55.0	
71"	35"	55.0	55.0
83"		55.0	55.0
95"		55.0	55.0
107"		55.0	55.0
119"		55.0	55.0
131"		55.0	55.0
143"		55.0	55.0
155"	55.0	55.0	
71"	47"	55.0	55.0
83"		55.0	55.0
95"		55.0	55.0
107"		55.0	55.0
119"		55.0	55.0
131"	55.0	55.0	
143"	55.0	55.0	
71"	59"	55.0	55.0
83"		55.0	55.0
95"		55.0	55.0
107"		55.0	55.0



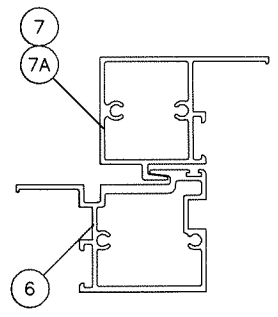
OPERATING VENTS TO BE 1/3 OF THE WINDOW WIDTH

'XOX'



OPERATING VENTS TO BE 1/4 TO 1/3 OF THE WINDOW WIDTH

'XOX'



FIX. STILE  
W/O REINF.

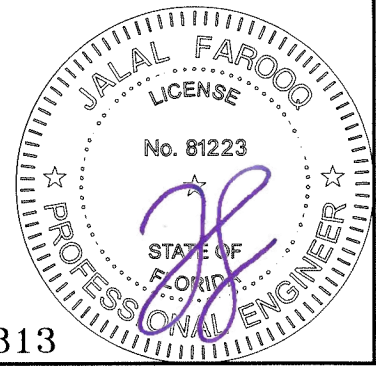
DESIGN LOAD CAPACITY - PSF (XOX SIZES)			
INTERIOR FRAME DIMS.		W/O REINF.	
		GLASS TYPE 'C'	
WIDTH	HEIGHT	W/ OR W/O JAMB ANC. EXT.(+)	INT.(-)
73"	25"	55.0	55.0
105-1/4"		55.0	55.0
110"		55.0	55.0
111"		55.0	55.0
159-1/2"	37-3/8"	55.0	55.0
73"		55.0	55.0
105-1/4"		55.0	55.0
110"	49-5/8"	55.0	55.0
111"		55.0	55.0
73"		55.0	55.0
73"	55"	55.0	55.0
73"		55.0	55.0
73"		55.0	55.0
71"	23"	55.0	55.0
83"		55.0	55.0
95"		55.0	55.0
107"		55.0	55.0
119"		55.0	55.0
131"		55.0	55.0
143"		55.0	55.0
155"	55.0	55.0	
71"	35"	55.0	55.0
83"		55.0	55.0
95"		55.0	55.0
107"		55.0	55.0
119"		55.0	55.0
131"	55.0	55.0	
71"	47"	55.0	55.0
83"		55.0	55.0
95"		55.0	55.0
71"	59"	55.0	55.0

**af c**  
**AL-FAROOQ CORPORATION**  
 ENGINEERS & PRODUCT DEVELOPMENT  
 9360 SUNSET DRIVE, SUITE 220 (C.A.N. 3538)  
 MIAMI, FLORIDA 33173 FAX. (305) 262-6978  
 TEL. (305) 264-8100  
 COMP-ANL 19-79F-ABW

SERIES-100HR ALUM HORIZ. ROLLING WDW. (L.M.I.)  
**AMERICA'S BEST WINDOWS AND DOORS**  
 1350 Park Central Blvd. S.  
 Pompano Beach, FL 33064  
 Tel. (954) 973-1362 Fax. (954) 973-1317

revisions:	no	date	by	description

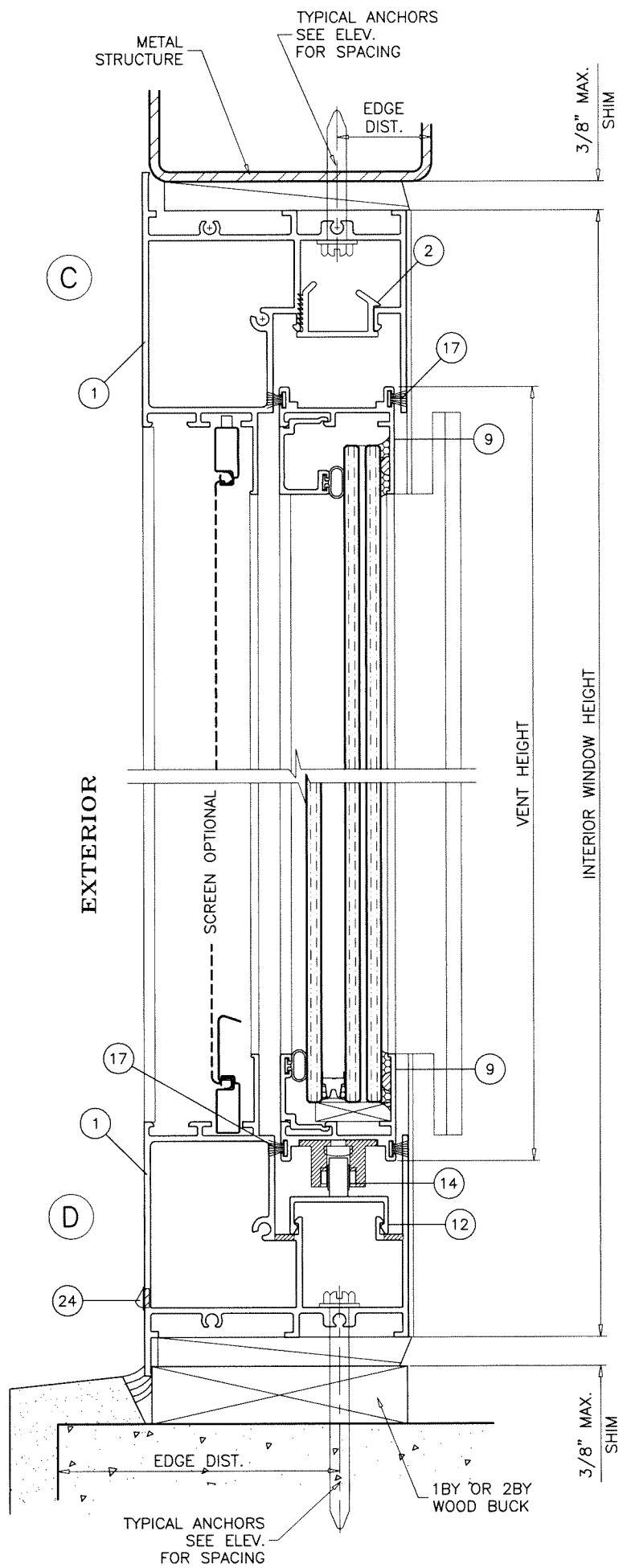
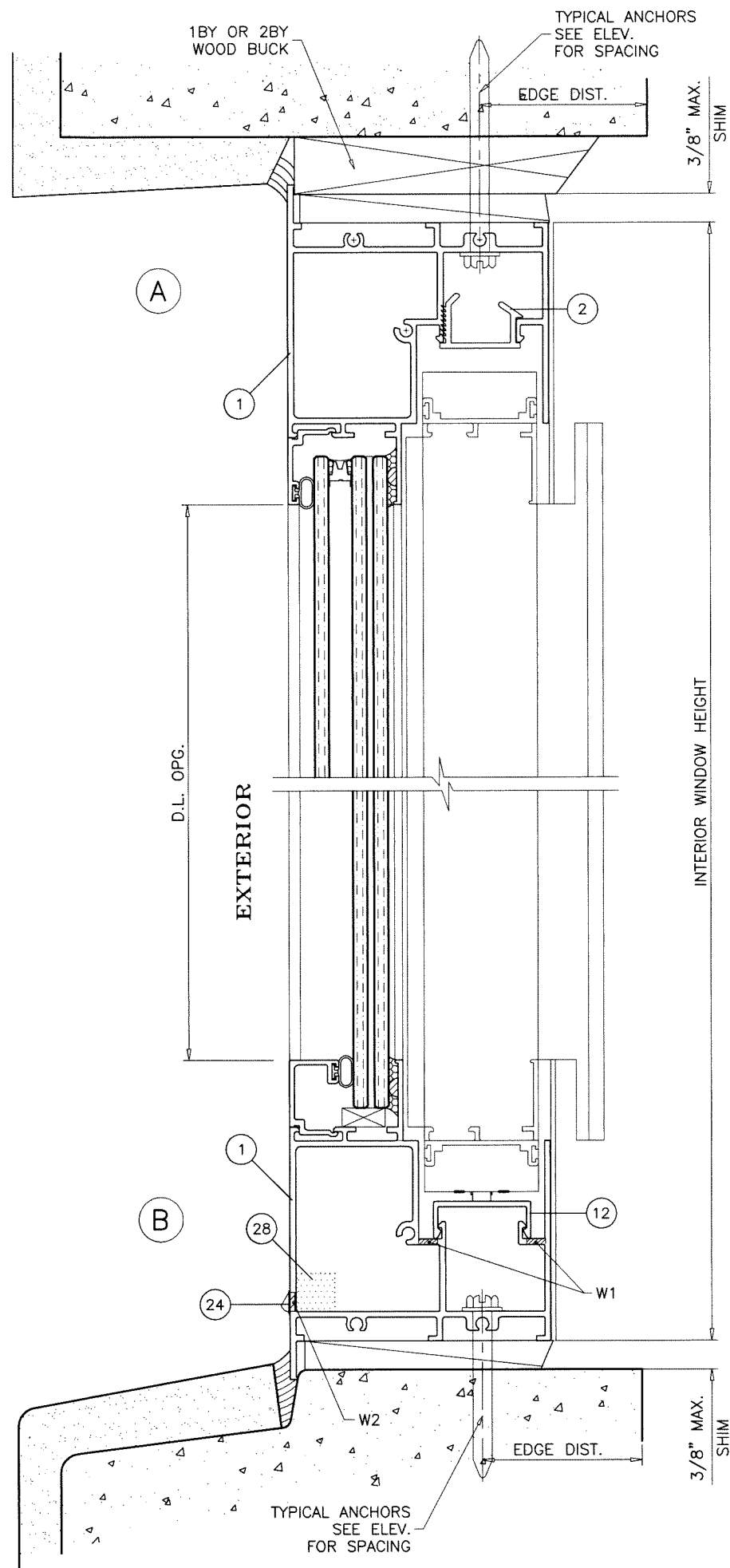
date: 07-25-19  
 scale: -  
 dr. by: TARIQ  
 chk. by:  
 drawing no.  
**19-79F**  
 sheet 5.1 of 13



Sealed: 10/16/2023

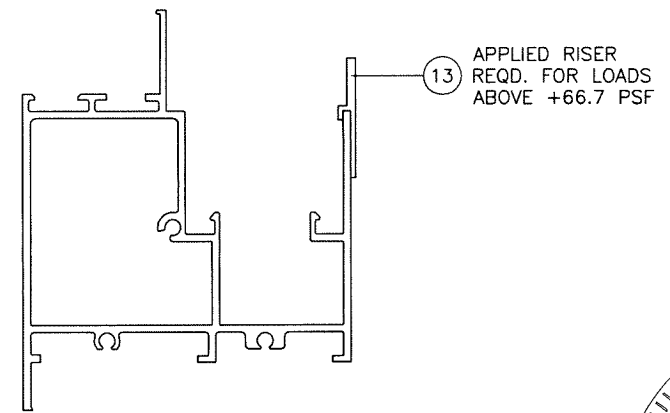
NOTE:  
 GLASS CAPACITIES ON THIS SHEET ARE  
 BASED ON ASTM E1300-09 (3 SEC. GUSTS)  
 AND FLORIDA BUILDING COMMISSION  
 DECLARATORY STATEMENT DCA05-DEC-219

FL #30313

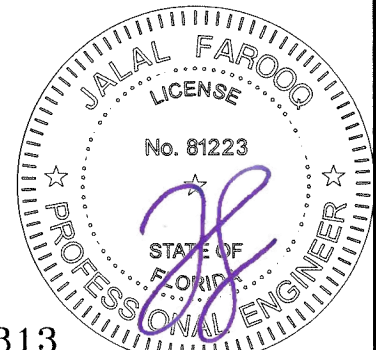


**WEEPHOLES:**

- W1 = 5/16" X 2" NOTCH AT EACH END
- W2 = 5/16" X 1-3/4" WEEP NOTCHES AT 4-1/2" FROM EACH END AND 50" O.C. WITH BAFFLE.



Sealed: 10/16/2023



FL #30313



**AL-FAROOQ CORPORATION**  
 ENGINEERS & PRODUCT DEVELOPMENT  
 9360 SUNSET DRIVE, SUITE 220 (C.A.N. 3538)  
 MIAMI, FLORIDA 33173  
 TEL. (305) 264-8100 FAX. (305) 262-6978  
 COMP-ANL 19-79F-ABW

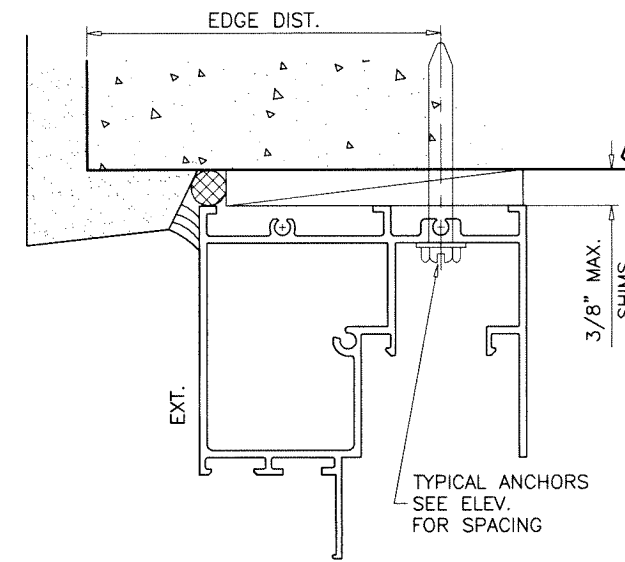
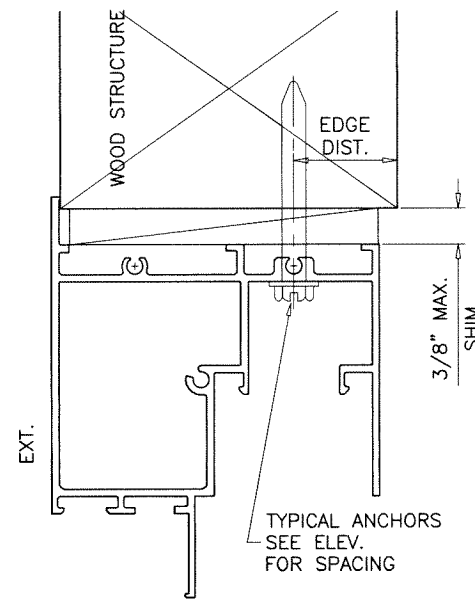
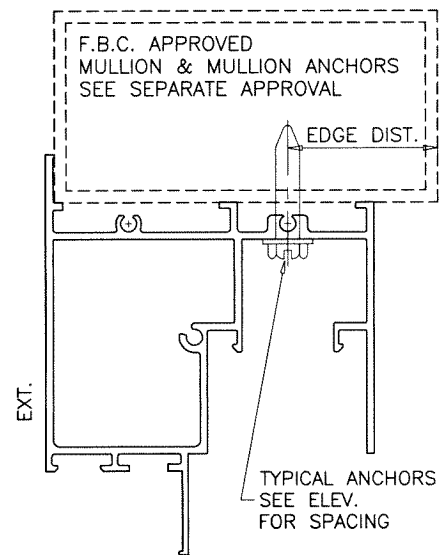
---

SERIES-100HR ALUM HORIZ. ROLLING WDW. (L.M.I.)

**AMERICA'S BEST WINDOWS AND DOORS**  
 1350 Park Central Blvd. S.  
 Pompano Beach, FL 33064  
 Tel. (954) 973-1362 Fax. (954) 973-1317

revisions:	no	date	by description

date: 07-25-19 scale: 1/2" = 1" dr. by: TARIQ chk. by:   
 drawing no. **19-79F** sheet 6 of 13



FLUSH FRAME WITH TRIMMED EXTERIOR FLANGE

WOOD BUCKS AND METAL STRUCTURE NOT BY 'AMERICA'S BEST' MUST SUSTAIN LOADS IMPOSED BY GLAZING SYSTEM AND TRANSFER THEM TO THE BUILDING STRUCTURE.

**TYPICAL ANCHORS:** SEE ELEV. FOR SPACING

- 1/4" DIA. ULTRACON+ BY 'DEWALT'** (Fu=164 KSI, Fy=148 KSI)
- INTO WOOD STRUCTURES
- 2" MIN. PENETRATION INTO WOOD (HEAD/SILL/JAMBS)
- THRU 1BY OR 2BY WOOD BUCKS INTO CONC. OR BLOCKS
- 1-1/4" MIN. EMBED INTO CONCRETE (HEAD/SILL/JAMBS)
- 1-1/4" MIN. EMBED INTO BLOCKS (JAMBS)

- DIRECTLY INTO CONCRETE OR BLOCKS
- 2" MIN. EMBED INTO CONCRETE (HEAD/SILL/JAMBS)
- 2" MIN. EMBED INTO GROUT FILLED BLOCKS (JAMBS)

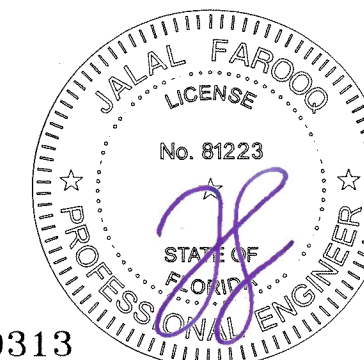
- 1/4" DIA. TEKS OR SELF-DRILLING SCREWS** (GRADE 5 CRS)
- INTO F.B.C. APPROVED MULLIONS
- OR
- INTO METAL STRUCTURES (HEAD/SILL/JAMBS)
- (3) THREADS MIN. TO EXTEND BEYOND METAL THICKNESS
- ALUMINUM: 1/8" THK. MIN. (6063-T5 MIN.)
- STEEL: 1/8" THK. MIN. (Fy = 36 KSI MIN.)
- (STEEL IN CONTACT WITH ALUMINUM TO BE PLATED OR PAINTED)

**TYPICAL EDGE DISTANCE**

- INTO CONCRETE AND BLOCKS = 2-1/2" MIN.
- INTO WOOD STRUCTURE = 1" MIN.
- INTO METAL STRUCTURE = 3/4" MIN.

- WOOD AT HEAD, SILL OR JAMBS SG = 0.55 MIN.
- CONCRETE AT HEAD, SILL OR JAMBS f'c = 3000 PSI MIN.
- C-90 HOLLOW/FILLED BLOCK AT JAMBS f'm = 2000 PSI MIN.

Sealed: 10/16/2023



FL #30313

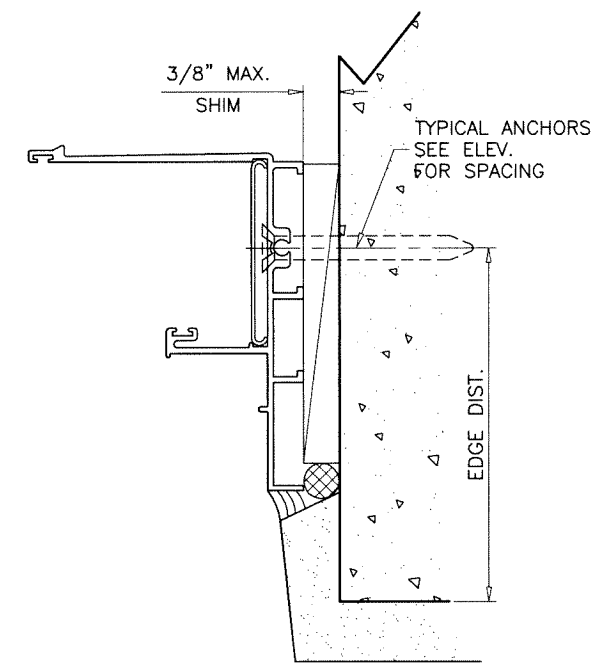
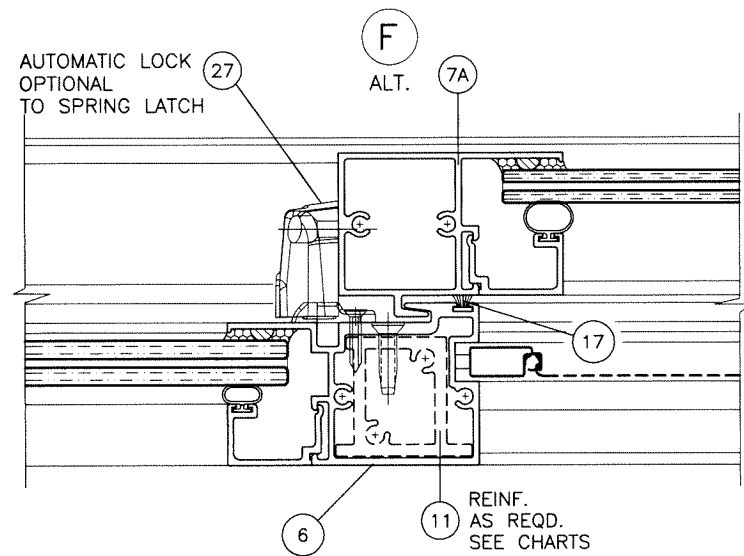
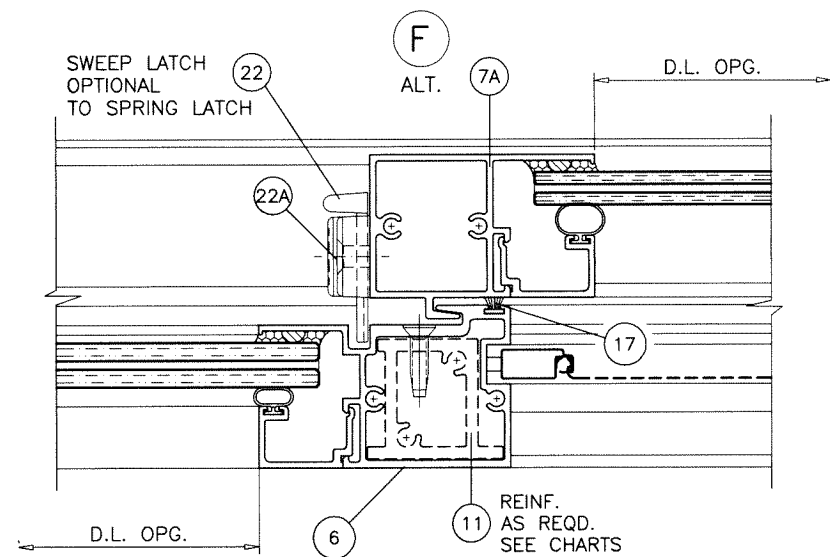
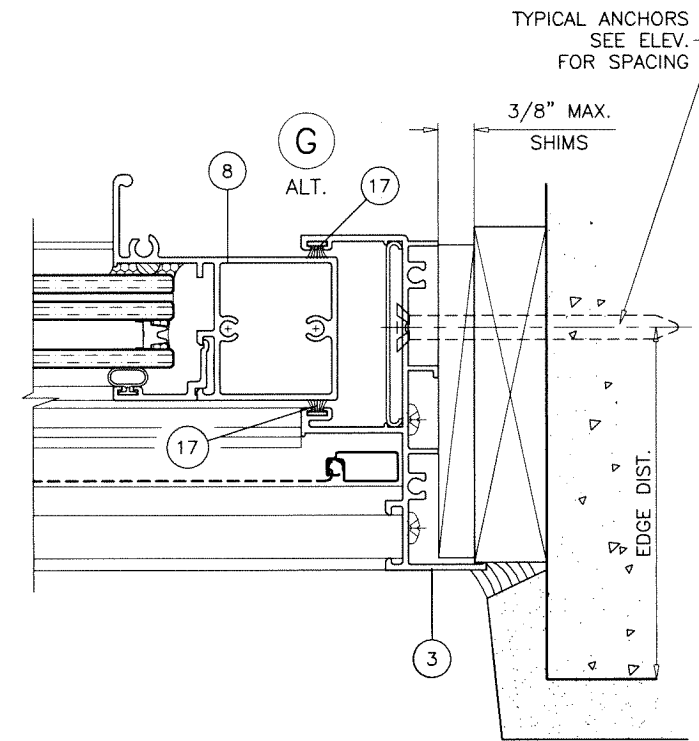
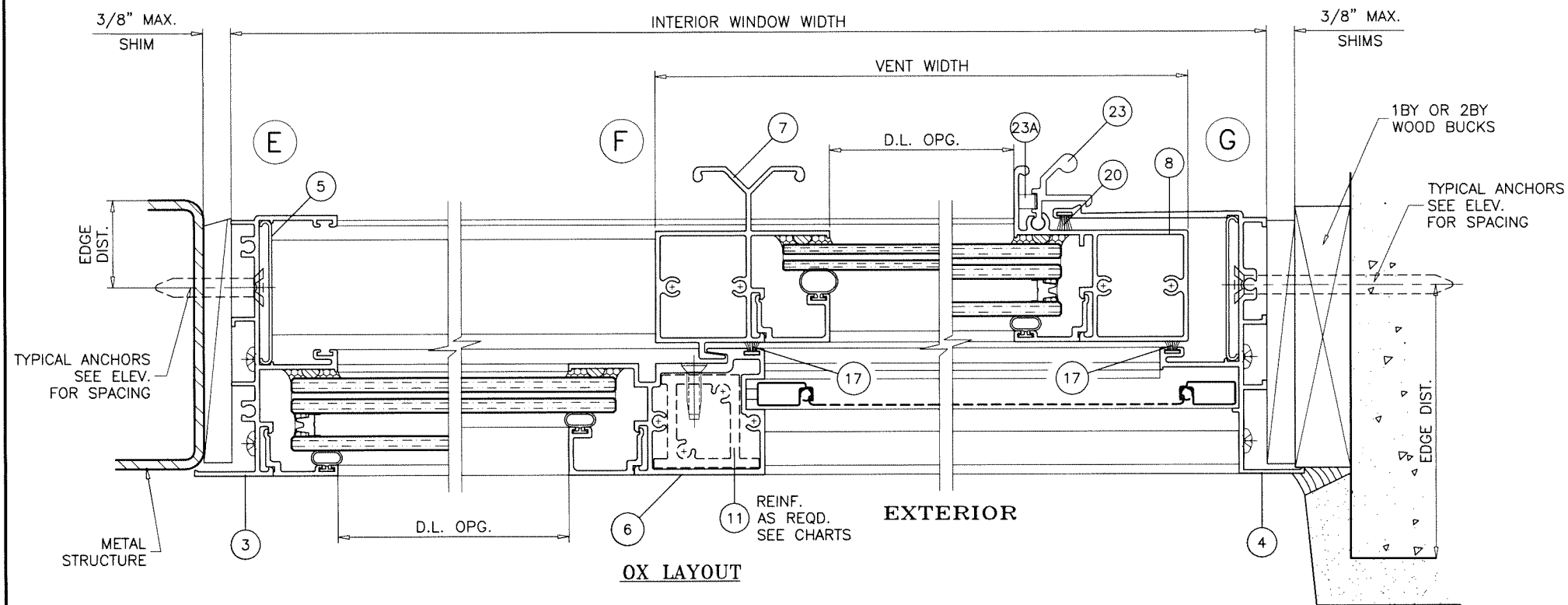
**afc**  
**AL-FAROOQ CORPORATION**  
 ENGINEERS & PRODUCT DEVELOPMENT  
 9360 SUNSET DRIVE, SUITE 220 (C.A.N. 3538)  
 MIAMI, FLORIDA 33173  
 TEL. (305) 264-8100 FAX. (305) 262-6978  
 COMP-ANL 19-79F-ABW

SERIES-100HR ALUM HORIZ. ROLLING WDW. (L.M.I.)  
**AMERICA'S BEST WINDOWS AND DOORS**  
 1350 Park Central Blvd. S.  
 Pompano Beach, FL 33064  
 Tel. (954) 973-1362 Fax. (954) 973-1317

revisions:	
no	description

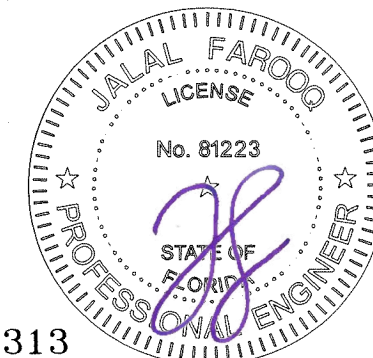
date: 07-25-19	scale: 1/2" = 1"
dr. by: TARIQ	chk. by:

drawing no.  
**19-79F**  
 sheet 7 of 13



FLUSH FRAME WITH TRIMMED EXTERIOR FLANGE APPLICABLE TO MOV. AND FIX. JAMBS

Sealed: 10/16/2023



FL #30313

**af c**  
**AL-FAROOQ CORPORATION**  
 ENGINEERS & PRODUCT DEVELOPMENT  
 9360 SUNSET DRIVE, SUITE 220 (C.A.N. 3538)  
 MIAMI, FLORIDA 33173 TEL. (305) 264-8100 FAX. (305) 262-6978  
 COMP-ANL 19-79F-ABW

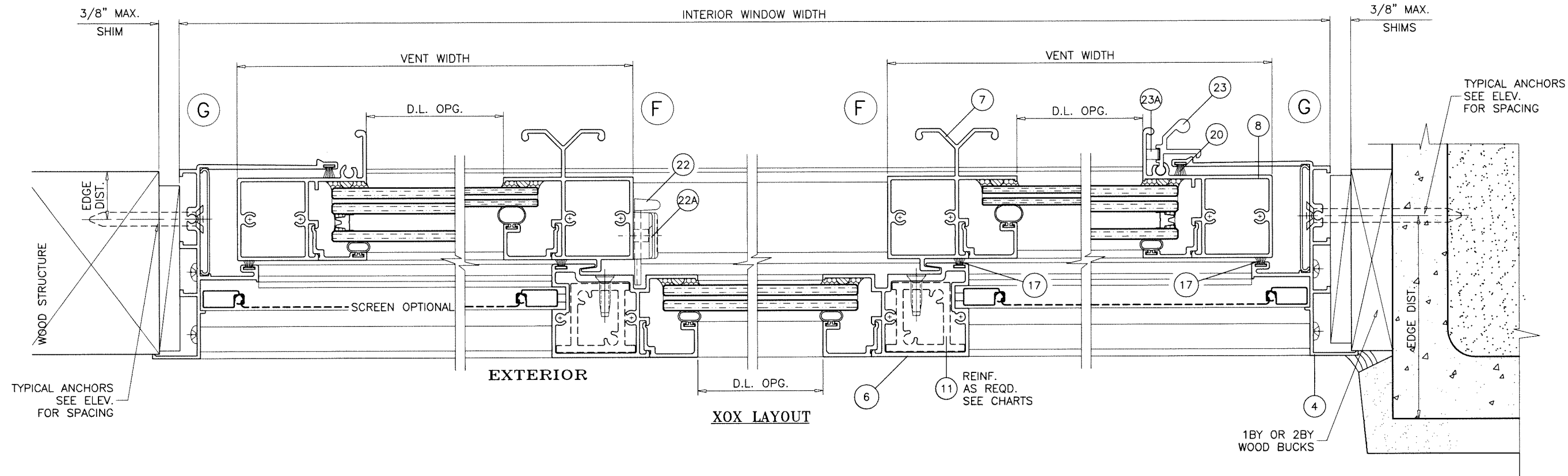
SERIES-100HR ALUM HORIZ. ROLLING WDW. (L.M.I.)  
**AMERICA'S BEST WINDOWS AND DOORS**  
 1350 Park Central Blvd. S.  
 Pompano Beach, FL 33064  
 Tel. (954) 973-1362 Fax. (954) 973-1317

no	date	description

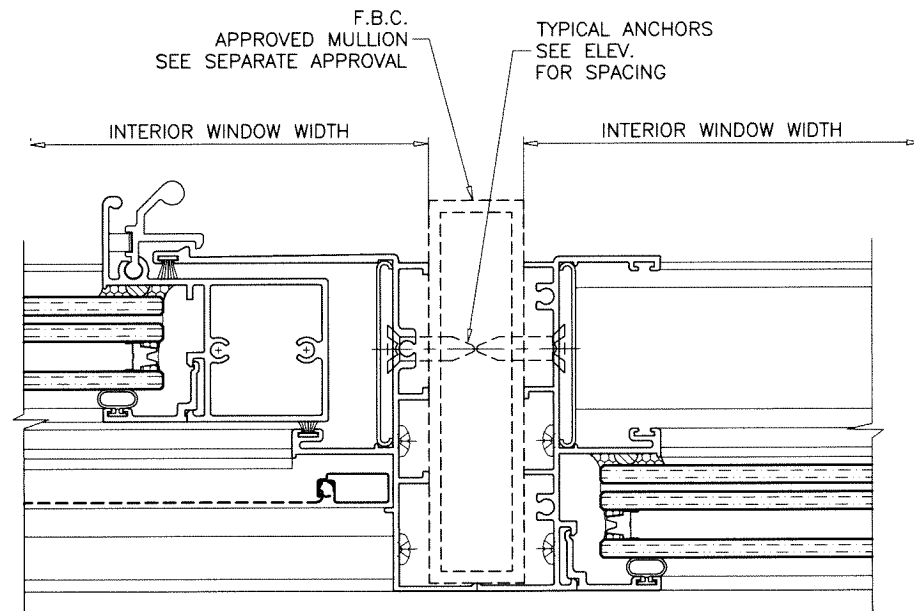
date: 07-25-19  
 scale: 1/2" = 1"  
 dr. by: TARIQ  
 chk. by:

drawing no.  
**19-79F**

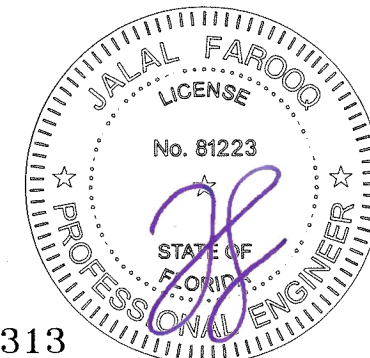
sheet 8 of 13



XOX LAYOUT



Sealed: 10/16/2023



FL #30313

**afc**  
AL-FAROOQ CORPORATION  
ENGINEERS & PRODUCT DEVELOPMENT  
9360 SUNSET DRIVE, SUITE 220 (C.A.N. 3538)  
MIAMI, FLORIDA 33173  
TEL. (305) 262-6978 FAX. (305) 262-6978  
COMP-ANL \ 19-79F-ABW

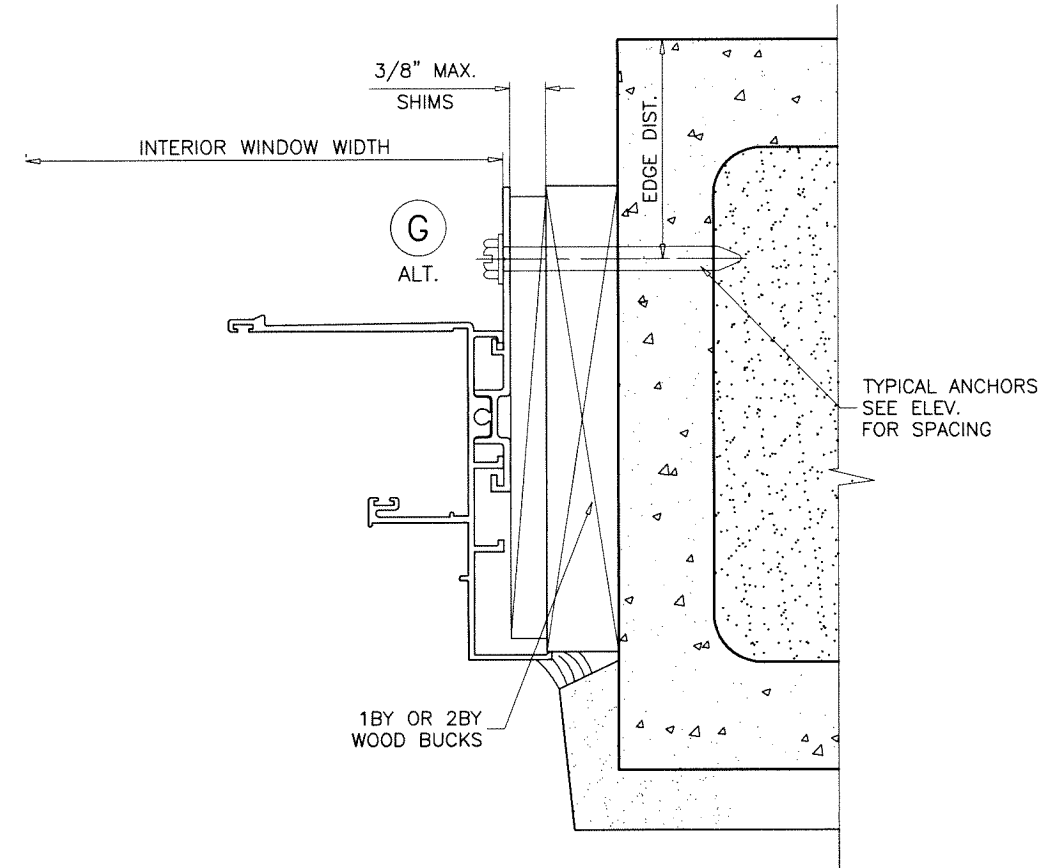
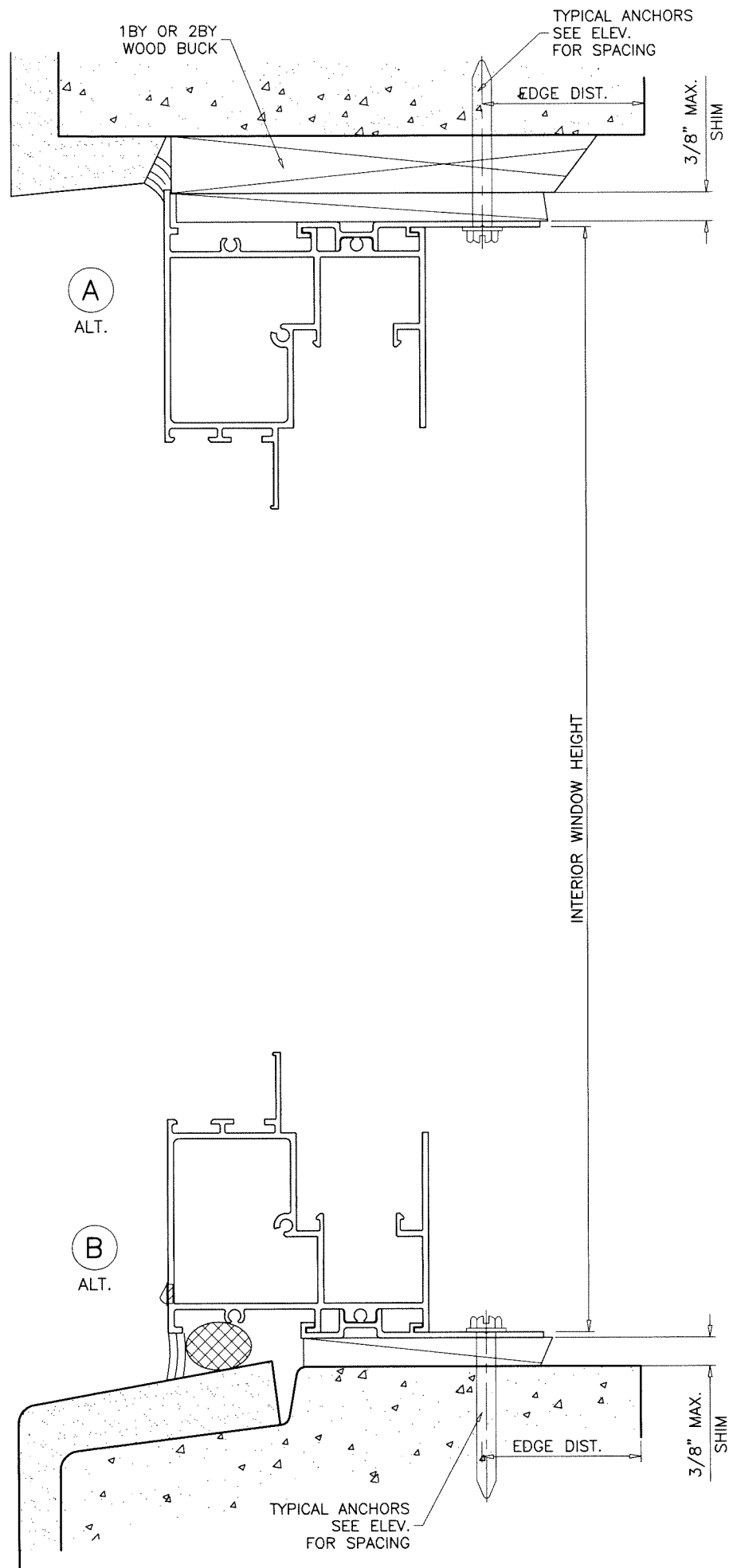
SERIES-100HR ALUM HORIZ. ROLLING WDW. (L.M.I.)  
AMERICA'S BEST WINDOWS AND DOORS  
1350 Park Central Blvd. S.  
Pompano Beach, FL 33064  
Tel. (954) 973-1362 Fax. (954) 973-1317

revisions:	
no	date by description

date: 07-25-19  
scale: 1/2" = 1"  
dr. by: TARIQ  
chk. by:  

drawing no.  
**19-79F**

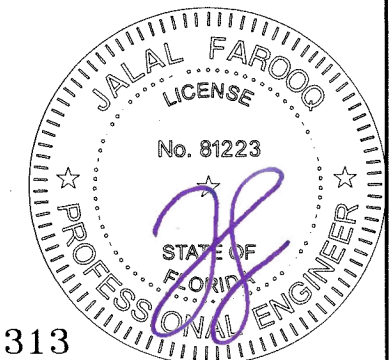
sheet 9 of 13



**INSTALLATION DETAILS WITH ANCHOR CLIP (FLUSH & FLANGE FRAMES)**

WINDOWS CAN BE INSTALLED BY USING ANCHOR CLIPS AT HEAD, SILL AND JAMBS.  
 CLIP INSTALLATION CAN BE IN ANY SUBSTRATE SHOWN FOR ANCHORS THRU FRAMES  
 SEE SHEETS 6 THRU 9 FOR DETAILS

Sealed: 10/16/2023



FL #30313

**af c**  
**AL-FAROOQ CORPORATION**  
 ENGINEERS & PRODUCT DEVELOPMENT  
 9360 SUNSET DRIVE, SUITE 220 (C.A.N. 3538)  
 MIAMI, FLORIDA 33173  
 TEL. (305) 264-8100 FAX. (305) 262-6978  
 COMP-ANL 19-79F-ABW

SERIES-100HR ALUM HORIZ. ROLLING WDW. (L.M.I.)  
**AMERICA'S BEST WINDOWS AND DOORS**  
 1350 Park Central Blvd. S.  
 Pompano Beach, FL 33064  
 Tel. (954) 973-1362 Fax. (954) 973-1317

revisions:		date		by description	
no	date	no	date	no	description

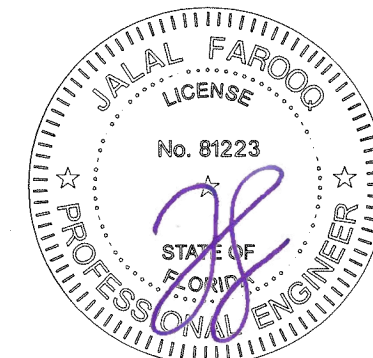
date: 07-25-19  
 scale: 1/2" = 1"  
 dr. by: TARIQ  
 chk. by:  
 drawing no.  
**19-79F**  
 sheet 10 of 13

ITEM	PART #	QUANTITY	DESCRIPTION	MATERIAL	MANF./SUPPLIER/REMARKS
1	101B	1	FRAME HEAD/SILL	6063-T6	PROFILE
2	G107	AS REQD.	HEAD COVER (OPTIONAL)	PVC	CENTRAL PLASTICS
3	116	AS REQD.	FRAME JAMB (MOVING/FIXED)	6063-T6	PROFILE
4	104	AS REQD.	FRAME JAMB (MOVING)	6063-T6	PROFILE
5	G104	AS REQD.	JAMB COVER	PVC	CENTRAL PLASTICS
6	108	1/ VENT	FIXED MTG. RAIL	6063-T6	PROFILE
7	107	1/ VENT	VENT INTERLOCK W/ HANDLE	6063-T6	PROFILE
7A	118	1/ VENT	VENT INTERLOCK W/O HANDLE	6063-T6	PROFILE
8	106	1/ VENT	JAMB STILE	6063-T6	PROFILE
9	102	2/ VENT	TOP AND BOTTOM RAIL	6063-T6	PROFILE
10	115	AS REQD.	GLAZING BEAD (7/16" LAM. GLASS)	6063-T6	PROFILE
10A	103	AS REQD.	GLAZING BEAD (INSUL. LAM. GLASS)	6063-T6	PROFILE
10B	119	AS REQD.	GLAZING BEAD (5/16" LAM. GLASS)	6063-T6	PROFILE
11	111	AS REQD.	FIX. STILE REINFORCING (FULL LENGTH)	6063-T6	PROFILE
12	110	AS REQD.	TRACK	6063-T6	PROFILE
13	114	AS REQD.	SILL RISER	6063-T5	PROFILE
14	G101	2/ VENT	ROLLER HOUSING	NYLON	M&M PLASTICS
15	#10 X 1 3/4"	AS REQD.	FRAME/VENT ASSEMBLY FASTENERS	CRS	PH PH SMS
16	#10 X 2"	2/ VENT	SHEAR BLOCK ASSEMBLY FASTENERS	CRS	PH PH SMS
17	W71221NK	AS REQD.	FIN SEAL W'STRIPPING	-	ULTRAFAB
18	G20618	AS REQD.	GLAZING BEAD BULB	NEOPRENE	ULTRAFAB
19	109	AS REQD.	ANCHOR CLIP	6063-T6	PROFILE
20	W71321NK	AS REQD.	JAMB STILE W'STRIPPING	-	ULTRAFAB
21	-	AS REQD.	SETTING BLOCK AT 1/4 POINTS (1/4" X 1" X 2" LONG)	EPDM	DUROMETER 80±5 SHORE A
22	SL203P	2/ VENT	SWEEP LATCH, AT 9 1/2" FROM EACH END	ZAMAK	SULLIVAN & ASSOC.
22A	#8 X 1/2"	2/ LATCH	LATCH INST. SCREW	ST. STEEL	PH FH SMS
23	-	2/ VENT	SPRING LOADED LATCH, AT 10" FROM EACH END	6063-T6	ALTERNATE TO SWEEP LATCH
23A	G106	2/ LATCH	LATCH SPRING	ST. STEEL	SULLIVAN & ASSOC.
24	WA2L	2/ WDW.	HI-FLOW WEEPER	-	SULLIVAN & ASSOC.
25	FLB50-CLEAR	AS REQD.	GLASS SPACER/BUMPER	SILICONE	FRANK LOWE
26	-	OPTIONAL	5/16" BOX SCREEN	-	OPTIONAL
27	WL02	AS REQD.	AUTOMATIC LOCK	-	ROTO HARDWARE
28	-	AS REQD.	RETICULATED FOAM BAFFLE 30 PPI (1/2" X 1/2" X 1-1/2" LONG)	-	PREFERRED ENGINEERING PRODUCTS
29	-	-	-	-	-

**SEALANT:**

ALL JOINTS AND FRAME CONNECTIONS SEALED WITH WHITE/ALUMINUM COLORED GENERAL PURPOSE SILICONE.

Sealed: 10/16/2023



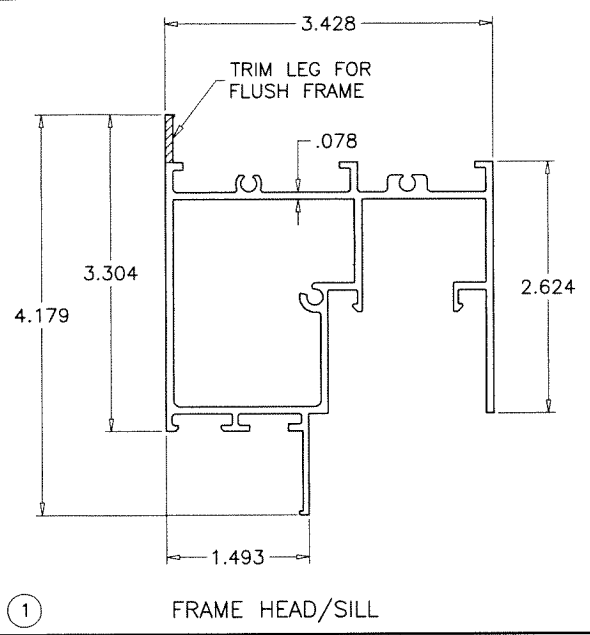
**afc**

**AL-FAROOQ CORPORATION**  
 ENGINEERS & PRODUCT DEVELOPMENT  
 9360 SUNSET DRIVE, SUITE 220 (C.A.N. 3538)  
 MIAMI, FLORIDA 33173 TEL. (305) 262-6978  
 FAX. (305) 264-8100

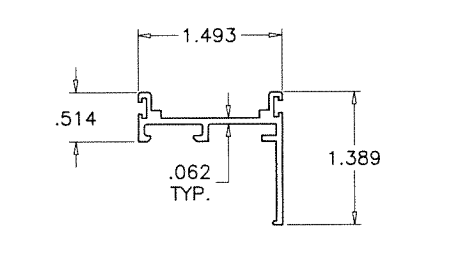
SERIES-100HR ALUM. HORIZ. ROLLING WDW. (L.M.I.)  
**AMERICA'S BEST WINDOWS AND DOORS**  
 1350 Park Central Blvd. S.  
 Pompano Beach, FL 33064  
 Tel. (954) 973-1362 Fax. (954) 973-1317

revisions:	no	date	by	description
date:	07-25-19	scale:	1/2" = 1"	
dr. by:	TARIQ	chk. by:		
drawing no.	19-79F			
sheet	11 of 13			

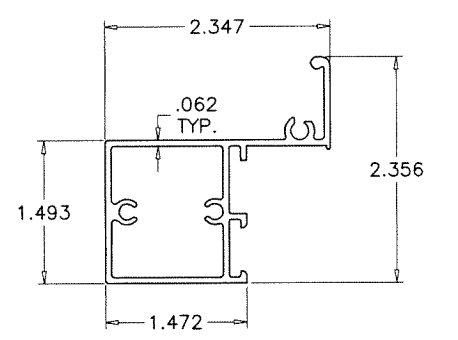
COMP-ANL 19-79F-ABW



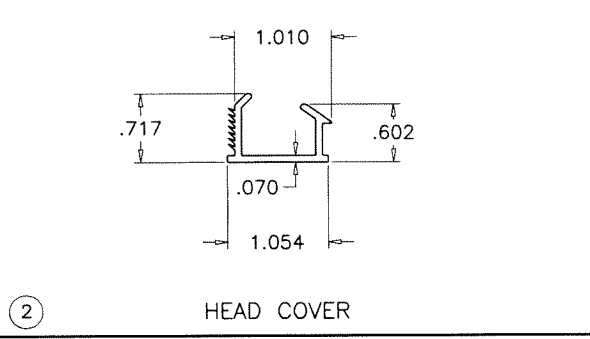
① FRAME HEAD/SILL



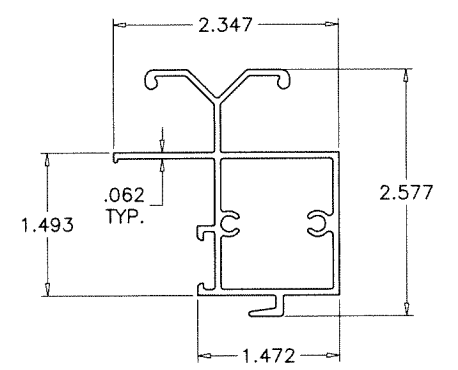
⑨ VENT TOP/BOTTOM RAIL



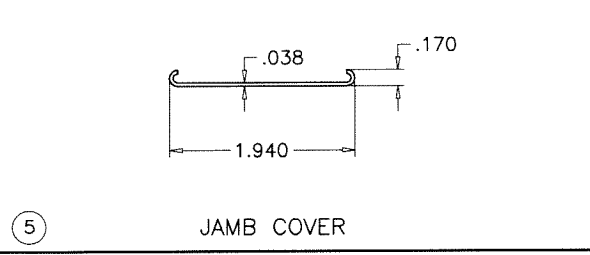
⑧ JAMB STILE



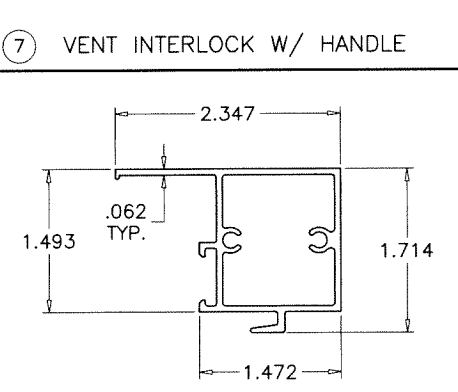
② HEAD COVER



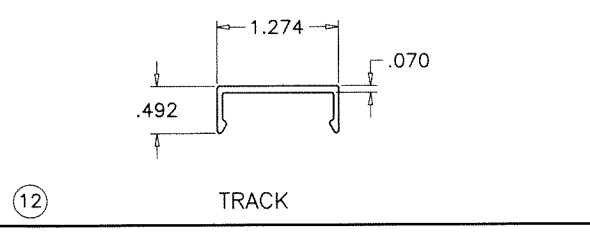
⑦ VENT INTERLOCK W/ HANDLE



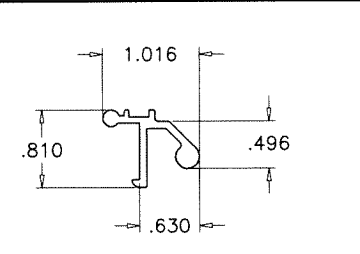
⑤ JAMB COVER



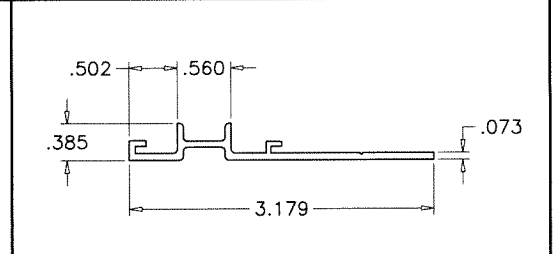
⑦A VENT INTERLOCK W/O HANDLE



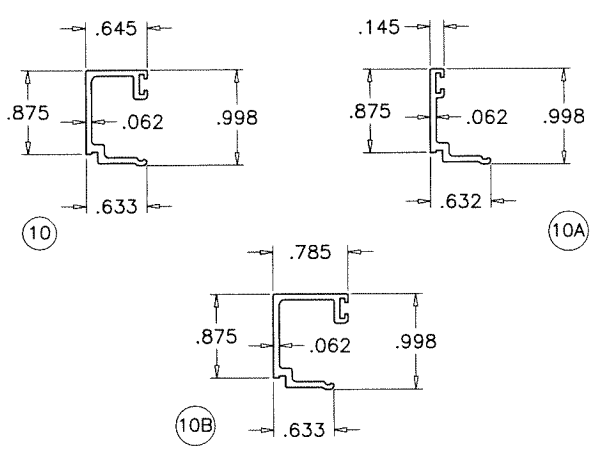
⑫ TRACK



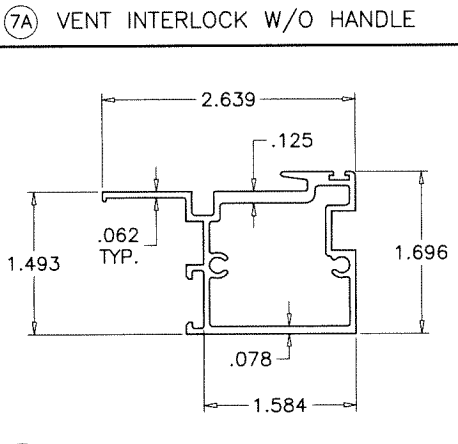
⑳ SPRING LOADED LATCH



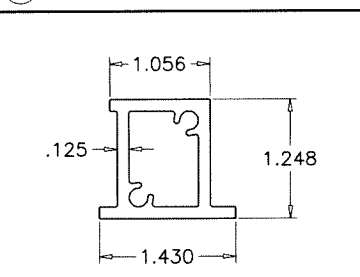
⑲ ANCHOR CLIP



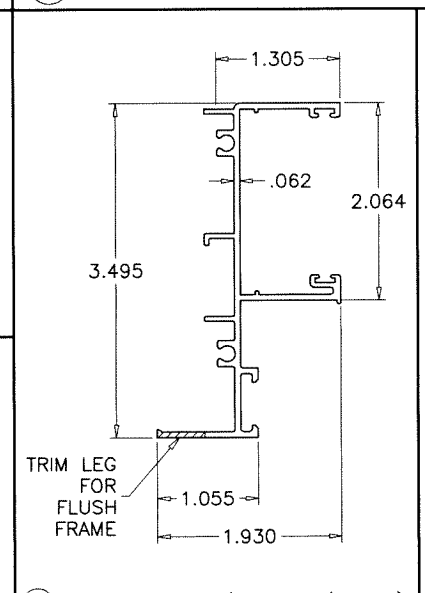
⑩ GLAZING BEADS



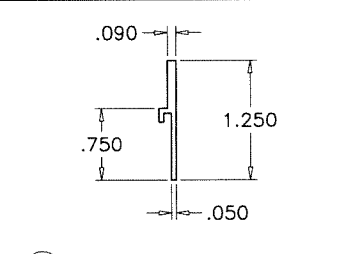
⑥ FIXED MTG. RAIL



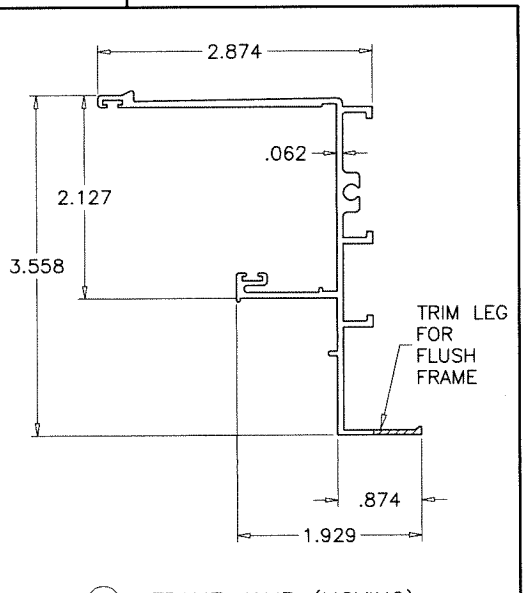
⑪ FIX. STILE REINFORCING



③ FRAME JAMB (MOVING/FIXED)

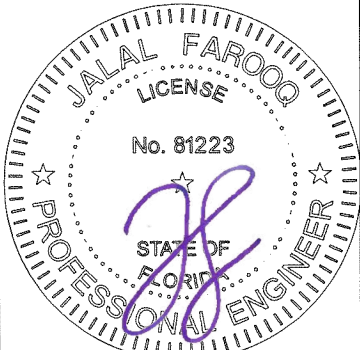


⑬ SILL RISER



④ FRAME JAMB (MOVING)

Sealed: 10/16/2023  
FL #30313

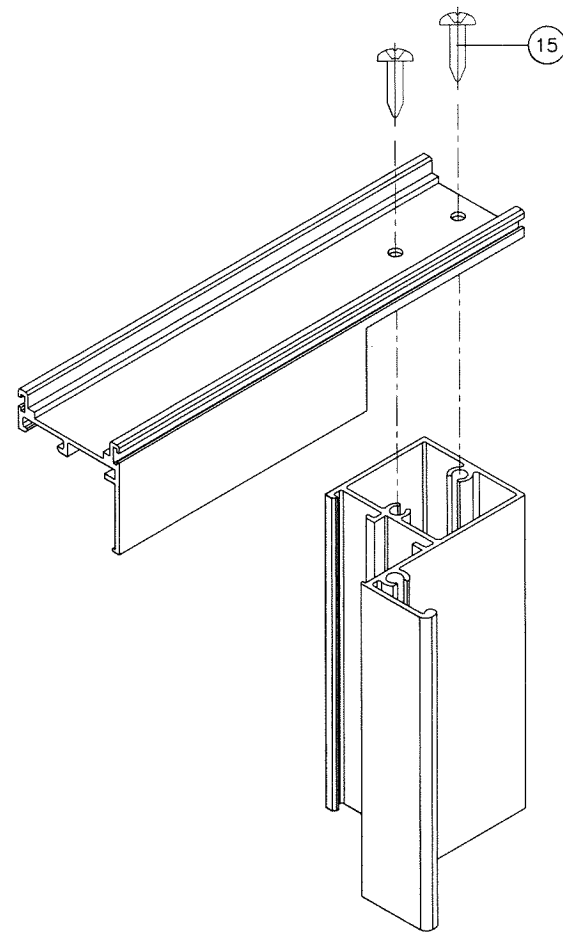


**af c**  
**AL-FAROOQ CORPORATION**  
ENGINEERS & PRODUCT DEVELOPMENT  
9360 SUNSET DRIVE, SUITE 220 (C.A.N. 3538)  
MIAMI, FLORIDA 33173 TEL. (305) 262-6978  
FAX. (305) 264-8100  
COMP-ANL 19-79F-ABW

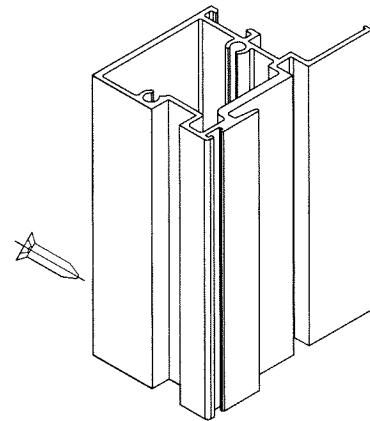
SERIES-100HR ALUM HORIZ. ROLLING WDW. (L.M.I.)  
**AMERICA'S BEST WINDOWS AND DOORS**  
1350 Park Central Blvd. S.  
Pompano Beach, FL 33064  
Tel. (954) 973-1362 Fax. (954) 973-1317

revisions:	no	date	description
date:	07-25-19		
scale:	1/2" = 1"		
dr. by:	TARIQ		
chk. by:			
drawing no.	19-79F		
sheet	12 of 13		

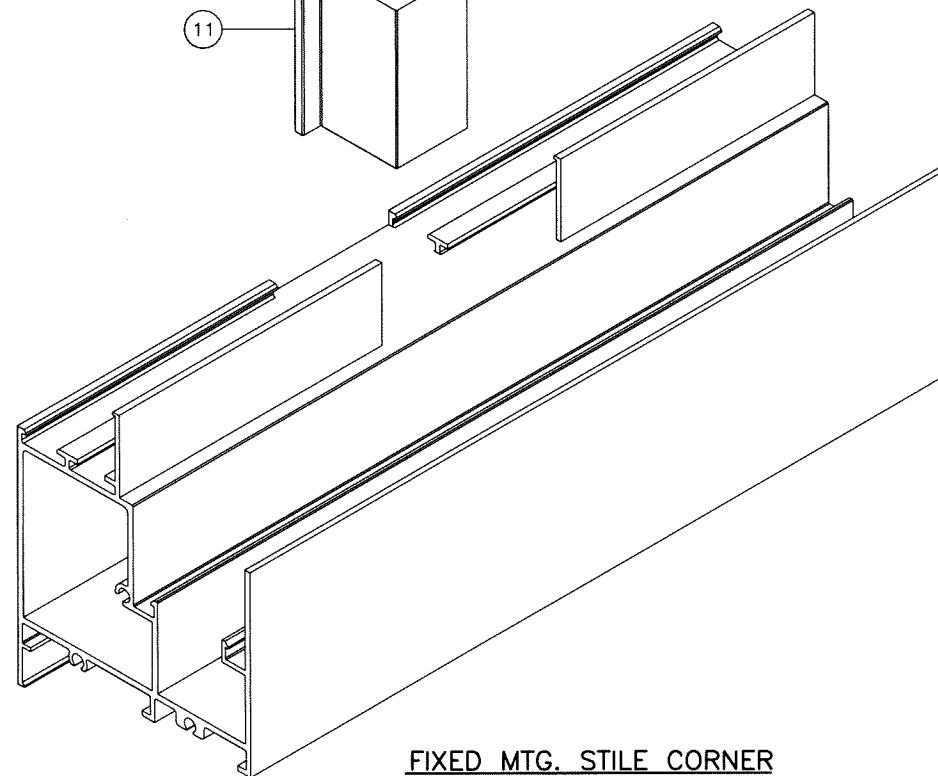
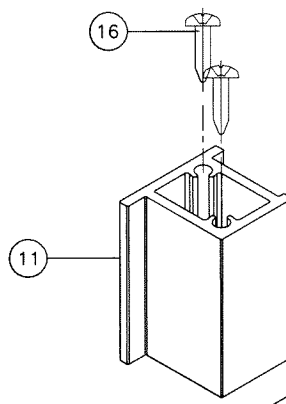




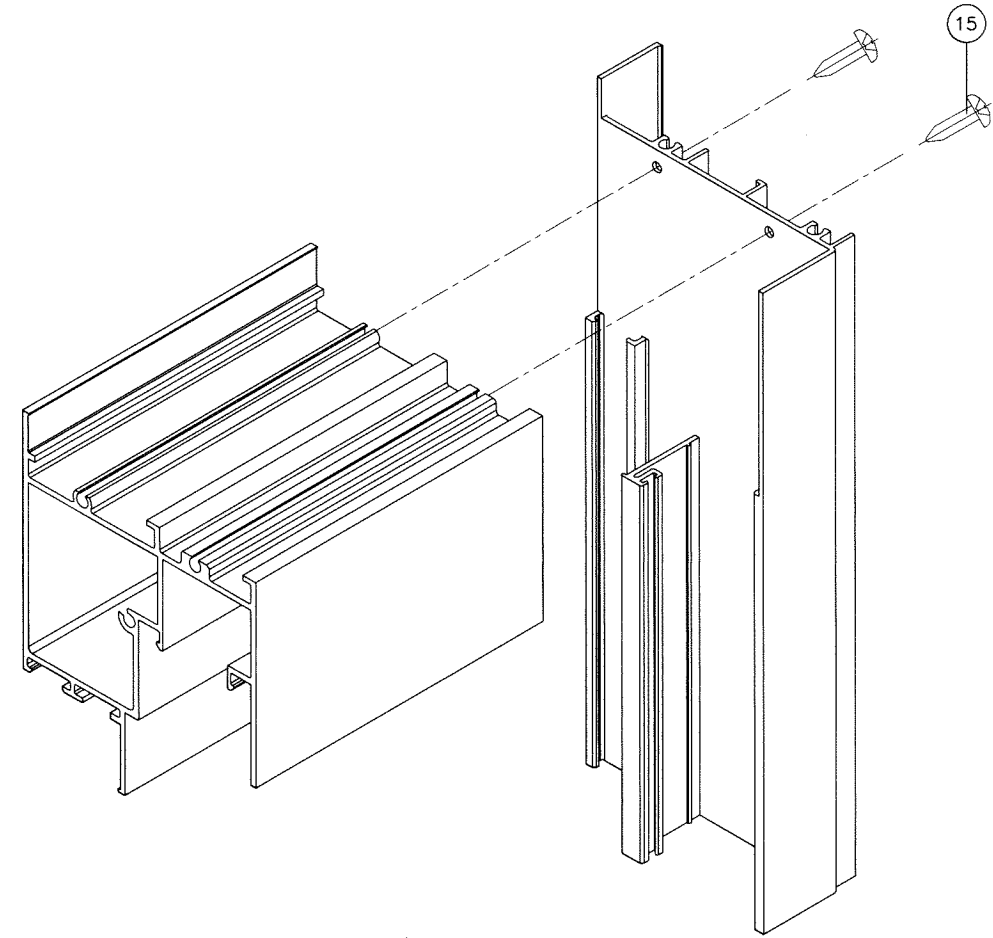
VENT TOP/BOTTOM CORNER



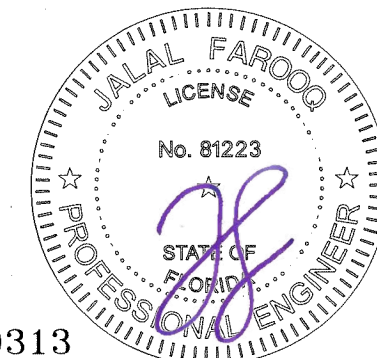
FRAME TOP/BOTTOM CORNER



FIXED MTG. STILE CORNER



Sealed: 10/16/2023



FL #30313

**afc**  
**AL-FAROOQ CORPORATION**  
 ENGINEERS & PRODUCT DEVELOPMENT  
 9360 SUNSET DRIVE, SUITE 220 (C.A.N. 3538)  
 MIAMI, FLORIDA 33173  
 TEL. (305) 264-8100 FAX. (305) 262-6978  
 COMP-ANL \ 19-79F-ABW

SERIES-100HR ALUM HORIZ. ROLLING WDW. (L.M.I.)  
**AMERICA'S BEST WINDOWS AND DOORS**  
 1350 Park Central Blvd. S.  
 Pompano Beach, FL 33064  
 Tel. (954) 973-1362 Fax. (954) 973-1317

revisions:	
no	date by description

date: 07-25-19	scale: 1/2" = 1"
dr. by: TARIQ	chk. by:
drawing no.	
19-79F	
sheet 13 of 13	