



[DBPR HOME](#) | [ABOUT DBPR](#) | [DBPR DIVISIONS](#) | [CONTACT DBPR](#)

[BCIS Home](#) | [Log In](#) | [User Registration](#) | [Hot Topics](#) | [Submit Surcharge](#) | [Stats & Facts](#) | [Publications](#) | [Contact Us](#) | [BCIS Site Map](#) | [Links](#) | [Search](#)



Product Approval
USER: Public User

[Product Approval Menu](#) > [Product or Application Search](#) > [Application List](#) > **Application Detail**

OFFICE OF THE SECRETARY

FL #	FL42332-R0										
Application Type	New										
Code Version	2020										
Application Status	Approved										
Comments											
Archived	<input type="checkbox"/>										
Product Manufacturer	Americas Best Windows & Doors										
Address/Phone/Email	1350 Park Central Blvd. S. Pompano Beach, FL 33064 (954) 973-1362 abilitycorporation@live.com										
Authorized Signature	Felix Altamuro abilitycorporation@live.com										
Technical Representative											
Address/Phone/Email											
Quality Assurance Representative											
Address/Phone/Email											
Category	Exterior Doors										
Subcategory	Swinging Exterior Door Assemblies										
Compliance Method	Evaluation Report from a Florida Registered Architect or a Licensed Florida Professional Engineer <input type="checkbox"/> Evaluation Report - Hardcopy Received										
Florida Engineer or Architect Name who developed the Evaluation Report	Walter A. Tillit Jr., P.E.										
Florida License	PE-44167										
Quality Assurance Entity	Keystone Certifications, Inc.										
Quality Assurance Contract Expiration Date	02/09/2033										
Validated By	John W. Knezevich, PE <input checked="" type="checkbox"/> Validation Checklist - Hardcopy Received										
Certificate of Independence	FL42332_R0_COI_COI Drwg 23-021 Americas Best Windows Doors.pdf										
Referenced Standard and Year (of Standard)	<table border="0"> <thead> <tr> <th>Standard</th> <th>Year</th> </tr> </thead> <tbody> <tr> <td>ASTM E1300</td> <td>2009</td> </tr> <tr> <td>TAS 201</td> <td>1994</td> </tr> <tr> <td>TAS 202</td> <td>1994</td> </tr> <tr> <td>TAS 203</td> <td>1994</td> </tr> </tbody> </table>	Standard	Year	ASTM E1300	2009	TAS 201	1994	TAS 202	1994	TAS 203	1994
Standard	Year										
ASTM E1300	2009										
TAS 201	1994										
TAS 202	1994										
TAS 203	1994										
Equivalence of Product Standards Certified By											
Sections from the Code											

Product Approval Method

Method 1 Option D

Date Submitted 08/18/2023
 Date Validated 08/19/2023
 Date Pending FBC Approval 08/23/2023
 Date Approved 10/17/2023
 Date Revised 10/18/2023

Summary of Products

FL #	Model, Number or Name	Description
42332.1	AB-2301 Aluminum Outswing French Door Large Missile Impact (HVHZ & NHVHZ)	Extruded aluminum profiles supporting Impact Resistant Glass in an operable swinging door.
Limits of Use Approved for use in HVHZ: Yes Approved for use outside HVHZ: Yes Impact Resistant: Yes Design Pressure: +50/-70 Other: Large & Small Missile Impact Resistant. See Item 7 of the Evaluation Report for Limitations and Conditions of Use.		Installation Instructions FL42332_R0_II_PED_Drwg_23-021_Americas_Best_Windows_Doors.1.pdf Verified By: Walter A. Tillit Jr., P.E. PE 44167 Created by Independent Third Party: Yes Evaluation Reports FL42332_R0_AE_PER_Drwg_23-021_Americas_Best_Windows_Doors.pdf Created by Independent Third Party: Yes

[Back](#) [Next](#)

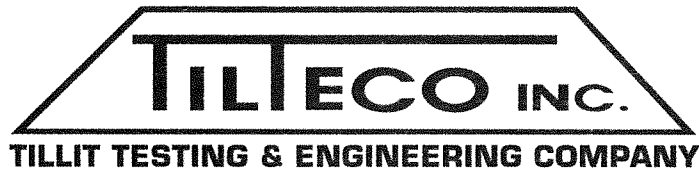
Contact Us :: [2601 Blair Stone Road, Tallahassee FL 32399](#) Phone: 850-487-1824

The State of Florida is an AA/EEO employer. [Copyright 2007-2013 State of Florida.](#) :: [Privacy Statement](#) :: [Accessibility Statement](#) :: [Refund Statement](#)

Under Florida law, email addresses are public records. If you do not want your e-mail address released in response to a public-records request, do not send electronic mail to this entity. Instead, contact the office by phone or by traditional mail. If you have any questions, please contact 850.487.1395. *Pursuant to Section 455.275(1), Florida Statutes, effective October 1, 2012, licensees licensed under Chapter 455, F.S. must provide the Department with an email address if they have one. The emails provided may be used for official communication with the licensee. However email addresses are public record. If you do not wish to supply a personal address, please provide the Department with an email address which can be made available to the public. To determine if you are a licensee under Chapter 455, F.S., please click [here](#).

Product Approval Accepts:





WALTER A. TILLIT, JR., P.E.

tilteco@aol.com
FL P.E. License No. 44167
FL C.A. License No. 0006719

PRODUCT EVALUATION REPORT

REPORT No.: 23-0622.01

DATE: June 22, 2023

PRODUCT CATEGORY: Exterior Doors

PRODUCT SUB-CATEGORY: Swinging Exterior Door Assemblies

PRODUCT NAME: AB-2301 ALUMINUM OUTSWING FRENCH DOOR
(L.M.I)

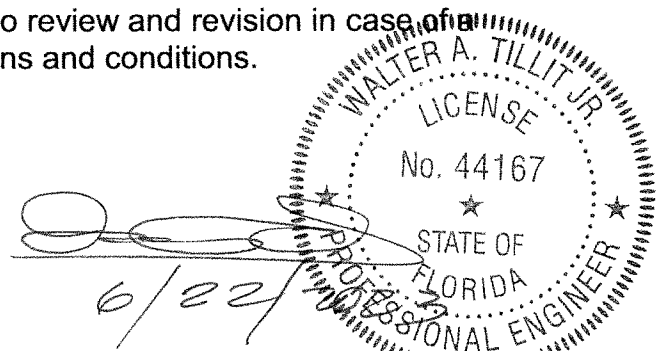
MANUFACTURER: AMERICA'S BEST WINDOWS & DOORS
1350 HAMMONDVILLE RD
POMPANO BEACH, FL 33069

1. PURPOSE OF EVALUATION:

This is a Product Evaluation Report issued by **Walter A. Tillit, Jr., P.E.** (System ID # 1906) to **America's Best Windows & Doors** based on **Rule Chapter No. 61G20-3, Method 1D** of the **Florida Department of Business and Professional Regulation**.

This product is being issued an Evaluation Report as described herein and has been verified for compliance in accordance with the 2020 Seventh Edition of the Florida Building Code, and to verify that the product is for the purpose intended at least equivalent to that required by the Code.

This Product Evaluation Report shall be subject to review and revision in case of a Building Code change that may affect its limitations and conditions.



2. EVIDENCE SUBMITTED:

2.1. PRODUCT EVALUATION DOCUMENT (P.E.D.):

Drawing No. 23-021, titled “AB-2301 ALUMINUM OUTSWING FRENCH DOOR (L.M.I)” sheets 1 thru 10 prepared by **Tilteco, Inc.**; signed and sealed by **Walter A. Tillit, Jr., P.E.**; dated 6/15/2023. This drawing is an integral part of this Evaluation Report.

2.2. TEST REPORTS:

Impact and Cyclic Tests as per protocol TAS-201, TAS-203, Uniform Static Load as per Protocol TAS 202 per sections 1626 and 1609.1.2, respectively of the Florida Building Code.

Test reports prepared by American Test Lab of South Florida, Report No. 0526.01-23, dated 6/17/2023 signed and sealed by Stephan W. Warter P.E.

2.3. STRUCTURAL ENGINEERING CALCULATIONS:

On “AB-2301 ALUMINUM OUTSWING FRENCH DOOR (L.M.I)” for Maximum Pressure Rating vs. Maximum anchor spacing, maximum width and height and Maximum Glass Size, based on rational and comparative analysis, in accordance with sections 1604 and 1616 of the Florida Building Code. Calculations Prepared by Tilteco, Inc., dated 6/22/2023, signed and sealed by Walter A. Tillit, Jr., P.E.

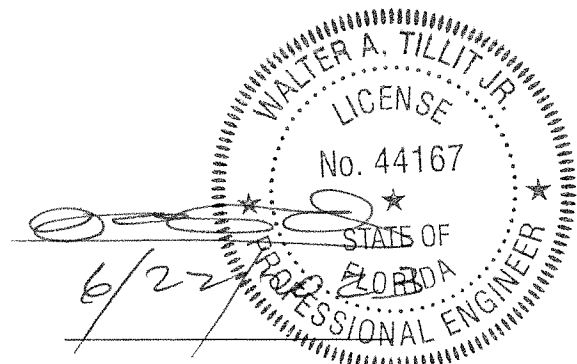
3. MISSILE IMPACT RESISTANCE:

Large Missile Impact resistance is provided per TAS 201 (9 lbs., 50 feet/sec, Large Missile).

4. WIND LOADS RESISTANCE:

On “AB-2301 ALUMINUM OUTSWING FRENCH DOOR (L.M.I)” has been verified to keep sustain wind pressures. Maximum Glass Panel Dimensions, Panel Width, & Panel Height shall be as indicated on sheet 5 of Product Evaluation Document (P.E.D), Drawing No. 23-021.

Maximum Design Pressure Rating for Stiles Top and Bottom connections with Fasteners Clusters and anchors at jambs for applicable substrates shall be as indicated on sheet 5, of Product Evaluation Document (P.E.D), Drawing No.23-021.



5. INSTALLATION:

Installation shall be performed strictly in accordance with General Notes # 1 thru 7 and 9 thru 11, indicated on sheet 1 and details indicated on sheets 4 thru 10 of Product Evaluation Document (P.E.D.), drawing No. **23-021**.

Gaskets and setting blocks used at installations comply with section 2411.3.4 of the Florida Building Code as specified on Bill of Materials on Sheet 2 of Product Evaluation Document (P.E.D.), drawing No. **23-021**.

6. MATERIAL CHARACTERISTICS AND SPECIFICATIONS:

Shall be strictly in accordance with General Notes and Components indicated on sheets 2 and 3 of Product Evaluation Document (P.E.D.), Drawing No. **23-021**.

Anchor specifications shall be as indicated on Note 8, sheet 1 of Product Evaluation Document (P.E.D.), Drawing No. **23-021**.

7. LIMITATIONS AND CONDITIONS OF USE:

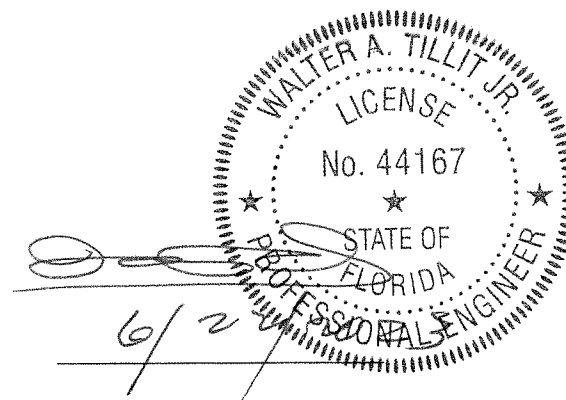
7.1. Shall be strictly in compliance with General Notes No. 1 thru 5, indicated on sheet 1 of Product Evaluation Document (P.E.D.), Drawing No. **23-021** prepared by Tilteco, Inc. and signed and sealed by Walter A. Tillit, Jr., P.E.

7.2. Product **may** be installed within HIGH VELOCITY HURRICANE ZONES as defined on section 202 of the Florida Building Code and out of it.

7.3. Product shall only be installed into substrates with limitations as indicated on sheets 5 and General Note 8, sheet 1 of Product Evaluation Document (P.E.D.), Drawing No. **23-021**.

Product Evaluation Report prepared by Walter A. Tillit, Jr., P.E. (Florida License No. 44167), President of Tilteco, Inc. (Florida CA-0006719).

WAT\ma
D:\ TILTECO ADMON RECORDS \ P. E. REPORT.23 \ AMERICA'S BEST WINDOWS & DOORS \ AB-2301 ALUMINUM
OUTSWING FRENCH DOOR (L.M.I) \ DRWG # 23-021 \ REPORT # 23-0622.01



GENERAL NOTES:

1. AB-2301 ALUMINUM OUTSWING FRENCH DOOR LARGE MISSILE IMPACT, SHOWN ON THIS PRODUCT EVALUATION DOCUMENT (P.E.D.) HAS BEEN VERIFIED FOR COMPLIANCE IN ACCORDANCE WITH THE 2020 (7th EDITION) OF THE FLORIDA BUILDING CODE. AB-2301 ALUMINUM OUTSWING FRENCH DOOR (L.M.I) MAY BE INSTALLED AT HIGH VELOCITY HURRICANE ZONES. (H.V.H.Z) AND OUT OF IT (N.H.V.H.Z).

DESIGN WIND LOADS SHALL BE DETERMINED AS PER SECTIONS 1620 AND 1609 OF THE ABOVE MENTIONED CODE, USING ASCE 7-16 AND SHALL NOT EXCEED THE MAXIMUM (A.S.D.) DESIGN PRESSURE RATINGS INDICATED ON NOTE 3 BELOW.

IN ORDER TO VERIFY THE ABOVE CONDITION, ULTIMATE DESIGN WIND LOADS DETERMINED PER ASCE 7-16 SHALL BE FIRST REDUCED TO A.S.D. DESIGN WIND LOADS BY MULTIPLYING THEM BY 0.6 IN ORDER TO COMPARE THESE W/ MAX. (A.S.D.) DESIGN PRESSURE RATINGS INDICATED ON NOTE 3 BELOW.

IN ORDER TO VERIFY THAT ANCHORS ON THIS P.E.D., AS TESTED, WERE NOT OVERSTRESSED, A 33% INCREASE IN ALLOWABLE STRESS FOR WIND LOADS WAS **NOT** USED IN THEIR ANALYSIS. A DURATION FACTOR CD=1.60 WAS USED TO VERIFY FASTENERS IN WOOD.

THIS DOOR'S ADEQUACY FOR IMPACT AND WIND RESISTANCE HAS BEEN VERIFIED IN ACCORDANCE WITH SECTIONS 1626 & 1609.1.2 OF THE ABOVE MENTIONED CODE AS PER PROTOCOLS TAS-201, TAS-202, TAS-203, PER AMERICAN TESTING LAB. OF SOUTH FLORIDA REPORT # 0526.01-23 AND AS PER SUBMITTED STRUCTURAL CALCULATIONS, PERFORMED AS PER SECTIONS 1616 & 1604 OF THE FLORIDA BUILDING CODE. GLASS VERIFIED PER ASTM E-1300, PER SECTION 2404.1 OF THE FLORIDA BUILDING CODE.

2. REMAINING COMPONENTS FOR THIS ALUMINUM OUTSWING FRENCH DOOR SYSTEM SHALL BE AS INDICATED ON BILL OF MATERIALS AND COMPONENTS ON SHEETS 2, 3, & 4 RESPECTIVELY OF THIS DRAWING. ALL ALUMINUM EXTRUSIONS IN CONTACT WITH DISSIMILAR MATERIALS SHALL COMPLY WITH SECTION III-6 OF THE 2015 ALUMINUM DESIGN MANUAL.

3. **MAXIMUM A.S.D. DESIGN PRESSURE RATING FOR PRODUCT IS + 50.0, -70.0 p.s.f. SEE DOOR ELEVATIONS ON SHEET 5 FOR QUALIFIED CONFIGURATIONS.**

4. **THIS ALUMINUM OUTSWING FRENCH DOOR WILL NOT REQUIRE A HURRICANE PROTECTION DEVICE.**

5. **THIS ALUMINUM OUTSWING FRENCH DOOR IS APPROVED FOR AIR AND WATER INFILTRATION.**

6 ALL SCREWS USED FOR ASSEMBLY CONNECTIONS (METAL TO METAL) TO BE STAINLESS STEEL 304 OR 316 AISI SERIES OR CORROSION RESISTANT COATED CARBON STEEL AS PER DIN 50018 WITH 50 ksi YIELD STRENGTH AND 90 ksi TENSILE STRENGTH & SHALL COMPLY W/ FLORIDA BUILDING CODE SECTION 2411.3.3.4.

7. WOOD BUCKS BY OTHERS, MUST BE ANCHORED PROPERLY TO TRANSFER LOADS TO THE BUILDING STRUCTURE. WOOD BUCKS MUST BE SOUTHERN PINE, G=0.55. AND SHALL COMPLY WITH SECTION 2411.3.3.3 OF THE 2020 (7th EDITION) OF THE FLORIDA BUILDING CODE.

(7.1) 2X WOOD BUCKS MUST BE PROPERLY ANCHORED TO EXISTING STRUCTURE TO TRANSFER LOADS TO IT. ANCHORAGE IS INDEPENDENT OF DOOR FRAME ANCHORAGE. DOOR FRAME MUST BE SEPARATELY ANCHORED TO 2X WOOD BUCK FOLLOWING DETAILS ON THIS DRAWING.

(7.2) 1X WOOD BUCK (OR ANY WOOD BUCK LESS THAN 2X) MUST BE PROPERLY ANCHORED TO EXISTING STRUCTURE TO TRANSFER LOADS TO IT. DOOR FRAME ANCHOR SHALL BE USED TO ATTACH 1X WOOD BUCK TO EXISTING STRUCTURE BY DRIVING ANCHOR THRU BOTH DOOR FRAME & 1X WOOD BUCK INTO EXISTING STRUCTURE W/ PROPER EMBEDMENT AND EDGE DISTANCE AS SHOWN ON THIS DRAWING.

8. ANCHOR NOTES:

EMBEDMENT AND EDGE DISTANCE ARE BEYOND ANY FINISH.

(A) **TO EXISTING POURED CONCRETE:** (Min. f'c = 3.192 ksi), MIN. EDGE DISTANCE = 3"

(A.1) **AT HEADER:** 1/4"Ø TAPCON OR ULTRACON W/1 3/4" MIN. EMBEDMENT, AS MANUFACTURED BY ITW BUILDEX, INC OR DEWALT RESPECTIVELY. THRU 1" P.T. WOOD BUCK OR DIRECTLY TO EXISTING CONCRETE (IF 1X BUCK IS NOT NEEDED.) MIN. EDGE DISTANCE IS 3".

(A.2) **AT SILL:** 1/4"Ø TAPCON OR ULTRACON W/ 1 3/4" MIN. EMBEDMENT, AS MANUFACTURED BY ITW BUILDEX, INC OR DEWALT RESPECTIVELY. THRU 1" P.T. WOOD BUCK OR DIRECTLY TO EXISTING CONCRETE (IF 1X BUCK IS NOT NEEDED.) MIN. EDGE DISTANCE IS 3".

(B) **TO EXISTING A.S.T.M. C-90 CONCRETE BLOCK:** MIN. EDGE DISTANCE = 3"

- 1/4"Ø TAPCON OR ULTRACON W/ 1 1/4" MIN. EMBEDMENT, AS MANUFAC. BY ITW BUILDEX, INC. OR DEWALT RESPECTIVELY, THRU 1" P.T. WOOD BUCK OR DIRECTLY TO BLOCK. (IF 1X BLOCK IS NOT NEEDED)

(C) **TO EXISTING (2) 2x P.T. WOOD BUCK:** MIN. EDGE DISTANCE IS 1"

- #14 WOOD SCREW OR 1/4"Ø TAPCONS/ULTRACONS SS W/ MIN 1 1/2" MIN. EMBEDMENT.

(D) **TO EXISTING MIN. 1/8" THICK ALUMINUM MEMBER (6063-T5 ALLOY):** MIN. EDGE DISTANCE = 1/2".

- #1/4" - 14 S.S TEK SCREW, FULLY EMBEDDED PLUS 3 THREADS BEYOND, AS MANUFACTURED BY ITW BUILDEX, INC.

(E) **TO EXISTING MIN. 12 GAGE STEEL MEMBER (ASTM A-500, A-653 OR A-36):** MIN. EDGE DISTANCE = 1/2".

- #1/4" - 14 S.S TEK SCREW, FULLY EMBEDDED PLUS 3 THREADS BEYOND, AS MANUFACTURED BY ITW BUILDEX, INC.

9. BEARING SHIM (1/4" MAX. SEE SECTIONS) MAY BE ALLOWED AT DOOR HEADER, SILL & JAMBS. ANCHOR LOCATION AS PER DETAILS ON THIS DRAWING.

10. PRODUCT MANUFACTURER'S LABEL SHALL BE LOCATED ON A READILY VISIBLE LOCATION AT PRODUCT IN ACCORDANCE WITH SECTION 1709.5 OF THE FLORIDA BUILDING CODE. ONE LABEL SHALL BE PLACED FOR EVERY OPENING.

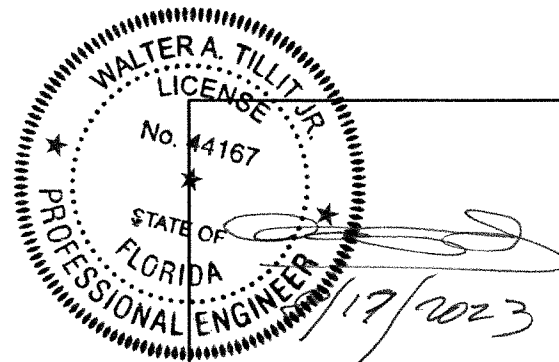
11. (a) THIS P.E.D. PREPARED BY THIS ENGINEER IS GENERIC AND DOES NOT PROVIDE INFORMATION FOR A SITE SPECIFIC PROJECT; i.e. WHERE THE SITE CONDITIONS DEVIATE FROM THE P.E.D.

(a) CONTRACTOR TO BE RESPONSIBLE FOR THE SELECTION, PURCHASE AND INSTALLATION INCLUDING LIFE SAFETY OF THIS PRODUCT, BASED ON THIS P.E.D., PROVIDED HE/SHE DOES NOT DEVIATE FROM THE CONDITIONS DETAILED ON THIS DOCUMENT. CONSTRUCTION SAFETY AT SITE IS THE CONTRACTOR'S RESPONSIBILITY.

(b) THIS P.E.D. WILL BE CONSIDERED INVALID IF ALTERED BY ANY MEANS.

(c) ORIGINAL P.E.D. SHALL BEAR THE DATE AND ORIGINAL SEAL AND SIGNATURE OF THE PROFESSIONAL ENGINEER OF RECORD THAT PREPARED IT.

THIS DRAWING SHALL ONLY BE USED TO OBTAIN PERMITS IN THE STATE OF FLORIDA



P.E. SEAL/SIGNATURE/DATE

FLORIDA BUILDING CODE (HIGH AND NON HIGH VELOCITY HURRICANE ZONE)

©2023 TILTECO, INC.

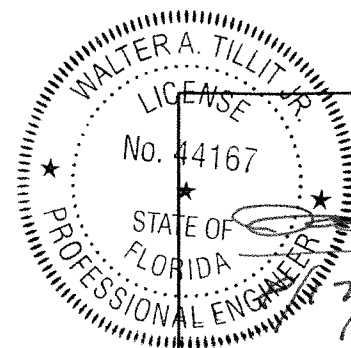


TILLIT TESTING & ENGINEERING COMPANY
6355 N.W. 36th St., Ste. 305, VIRGINIA GARDENS, FL 33166
Phone : (305)871-1530 Fax : (305)871-1531
CA-0006719
WALTER A. TILLIT Jr. P.E.
FLORIDA Lic. # 44167

<p>AB-2301 ALUM. OUTSWING FRENCH DOOR (L.M.I.)</p> <p>AMERICA'S BEST WINDOWS & DOORS</p> <p>1350 Hammondville Rd. POMPANO BEACH, FL 33069 PH: (954) 973-1362</p>		<p>F.R.L. DRAWN BY: 06/15/2023 DATE: 23-021 DRAWING No.</p>																		
<table border="1"> <thead> <tr> <th>REV. NO</th> <th>DESCRIPTION</th> <th>DATE</th> <th>REV. No</th> <th>DESCRIPTION</th> <th>DATE</th> </tr> </thead> <tbody> <tr> <td>1</td> <td>-</td> <td>-</td> <td>3</td> <td>-</td> <td>-</td> </tr> <tr> <td>2</td> <td>-</td> <td>-</td> <td>4</td> <td>-</td> <td>-</td> </tr> </tbody> </table>	REV. NO	DESCRIPTION	DATE	REV. No	DESCRIPTION	DATE	1	-	-	3	-	-	2	-	-	4	-	-	<p>SHEET 1 OF 10</p>	
REV. NO	DESCRIPTION	DATE	REV. No	DESCRIPTION	DATE															
1	-	-	3	-	-															
2	-	-	4	-	-															

BILL OF MATERIALS

COMPONENT #	DESCRIPTION / PART #	VENDOR / MANUFACTURER	MATERIAL	NOTES
①	FRAME HEAD/SILL PART# AAAA0018	-	6063-T6 ALLOY	
②	HEAD/SILL COVER PART# AAAA0019	-	6063-T6 ALLOY	
③	FRAME JAMB PART # AAAA0020	-	6063-T6 ALLOY	
④	JAMB COVER PART # AAAA0021	-	6063-T6 ALLOY	
⑤	PANEL BRACKET PART # AAAA0022 (4) PER PANEL	-	6063-T6 ALLOY	PANEL CORNERS 4.375"
⑥	HINGE PLATE PART # AAAA0023	-	6063-T6 ALLOY	JAMB 11", HINGE STILE 9", LOCK & PANEL 4.375"
⑦	TOP/BOTTOM RAIL PART # AAAA0024	-	6063-T6 ALLOY	
⑧	ASTRAGAL STILE PART # AAAA0025	-	6063-T6 ALLOY	
⑨	LOCK STILE PART # AAAA0026	-	6063-T6 ALLOY	
⑩	HINGE STILE PART # AAAA0027	-	6063-T6 ALLOY	
⑪	GLAZING BEAD PART # AAAA0028	-	6063-T6 ALLOY	
⑫	WOOLPILE ADAPTOR PART # AAAA0029	-	6063-T6 ALLOY	
⑬	WOOLPILE WITH CLEAR SINGLE FIN .187 X .30	ULTRAFAB	-	
⑭	BULB WEATHER STRIPPING .187 X .34	ULTRAFAB	-	
⑮	ADHESIVE WOOLPILE x 1 1/2" .25 X .30	ULTRAFAB	-	
⑯	FLUSHBOLT CUP PART # P001	ABILITY S.A.	-	
⑰	FLUSHBOLT GUIDE PART # P002	ABILITY S.A.	-	
⑱	3 PT LOCK UP PART # P003	ABILITY S.A.	-	
⑲	STD LOCK CUP PART # P004	ABILITY S.A.	-	
⑳	SETTING BLOCK 0.125 x 0.5 x 4	FRANK LOWE	EPDM	
㉑	SCREW #1 10 x 1.50 SMS HEX ZINC "A"	-	STEEL	
㉒	SCREW #2 10 x 0.75 x FHP TEX SCREW ZINC	-	STEEL	
㉓	SCREW #3 8 x 0.5 FHP ZINC "A"	-	STEEL	
㉔	ROD #1 0.375 THREADED ROD GALVANIZED	PNL ASSEMBLY	STEEL	
㉕	NUT #1 0.375 HEX NUT ZINC	PNL ASSEMBLY	STEEL	
㉖	WASH #1 0.375 LOCK WASHER ZINC	PNL ASSEMBLY	STEEL	
㉗	BUTT HINGE FD-107 (3) PER PANEL	SULLIVAN	ALUMINUM	SEE HINGE NOTE ON SHEET 5
㉘	FLUSHBOLT LEVER FB-202	SULLIVAN	ALUMINUM	
㉙	FLUSHBOLT ROD FBR91455	SULLIVAN	STEEL	
㉚	SCREW 1/4"Ø TAPCON OR ULTRACON	ITW BUILDEX/DEWALT	COATED STEEL	CONNECTION TO CONCRETE OR CONCRETE BLOCK OR WOOD
㉛	SCREW 1/4"-14 TEK S.S	ITW BUILDEX	COATED STEEL	CONNECTION TO 1/8" ALUMINUM OR 12 GAGE STEEL
㉜	SCS 2000N STRUCTURAL SILICONE	G.E	SILICONE SEALANT	USE AT GLAZING. SEE SHEET 4
㉝	QUAD EXTERIOR BUCK SILICONE	OSI	SILICONE SEALANT	USE AT PERIMETER OF FRAME
㉞	ACRYL - R	SCHNEE MOREHEAD	ACRYLIC COMPOUND SEALANT	USE AT SMALL JOINTS (METAL TO METAL)
㉟	SCS 1000 CONTRACTORS	G.E	SILICONE SEALANT	USE AT HANDLE LOCK & AROUND ESCUTCHEONS



P.E. SEAL/SIGNATURE/DATE

FLORIDA BUILDING CODE (HIGH AND NON HIGH VELOCITY HURRICANE ZONE)

©2023 TILTECO, INC.



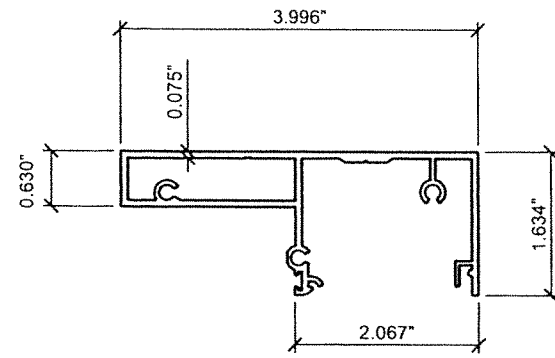
TILLIT TESTING & ENGINEERING COMPANY
 6355 N.W. 36th St., Ste. 305, VIRGINIA GARDENS, FL 33166
 Phone : (305)871-1530 . Fax : (305)871-1531
 CA-0006719
 WALTER A. TILLIT Jr. P.E.
 FLORIDA Lic. # 44167

AB-2301 ALUM.
OUTSWING FRENCH DOOR (L.M.I.)
AMERICA'S BEST WINDOWS & DOORS
 1350 Hammondville Rd.
 POMPANO BEACH, FL 33069
 PH: (954) 973-1362

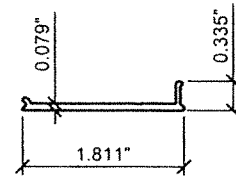
F.R.L.
 DRAWN BY:
 06/15/2023
 DATE:

23-021
 DRAWING No.

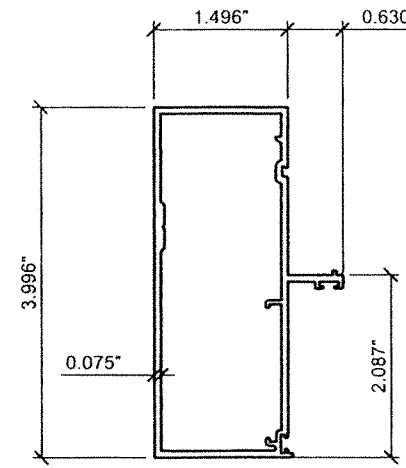
REV. NO	DESCRIPTION	DATE	REV. No	DESCRIPTION	DATE
1	-	-	3	-	-
2	-	-	4	-	-



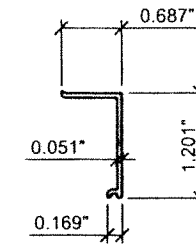
1 FRAME HEAD/SILL



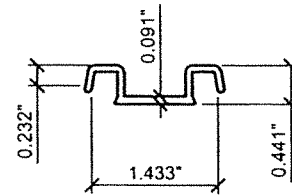
2 HEAD/SILL COVER



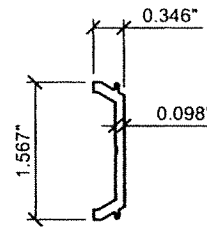
3 FRAME JAMB



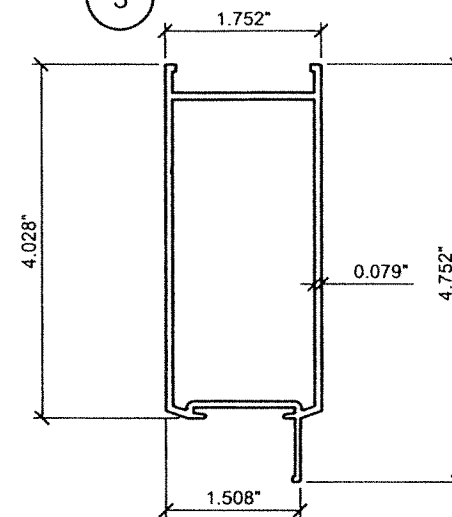
4 JAMB COVER



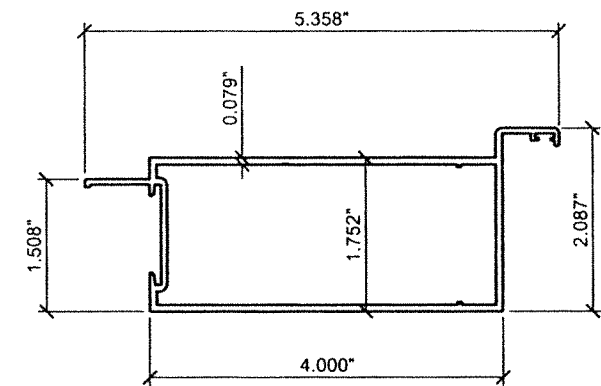
5 PANEL BRACKET



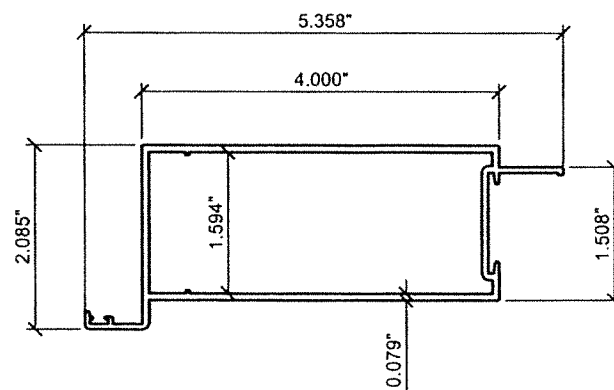
6 HINGE PLATE



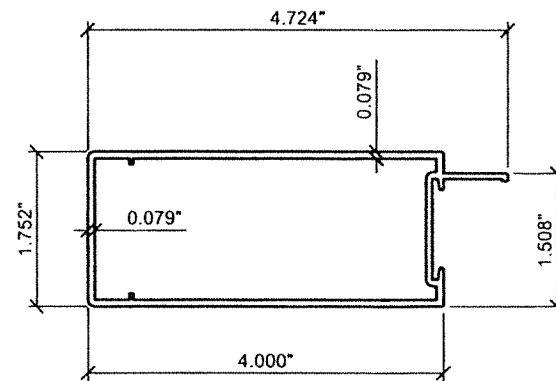
7 TOP/BOTTOM RAIL



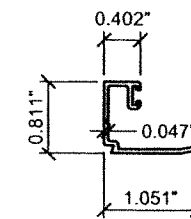
8 ASTRAGAL STILE



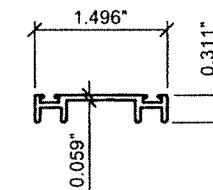
9 LOCK STILE



10 HINGE STILE



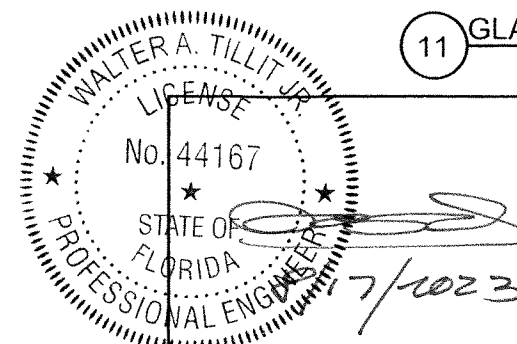
11 GLAZING BEAD



12 WOOLPILE ADAPTOR

COMPONENTS

N.T.S



P.E. SEAL/SIGNATURE/DATE

FLORIDA BUILDING CODE (HIGH AND NON HIGH VELOCITY HURRICANE ZONE)

©2023 TILTECO, INC.



TILLIT TESTING & ENGINEERING COMPANY
6355 N.W. 36th St., Ste. 305, VIRGINIA GARDENS, FL 33166
Phone : (305)871-1530 . Fax : (305)871-1531
CA-0006719
WALTER A. TILLIT Jr. P.E.
FLORIDA Lic. # 44167

AB-2301 ALUM.
OUTSWING FRENCH DOOR (L.M.I.)
AMERICA'S BEST WINDOWS & DOORS
1350 Hammondville Rd.
POMPANO BEACH, FL 33069
PH: (954) 973-1362

F.R.L.
DRAWN BY:

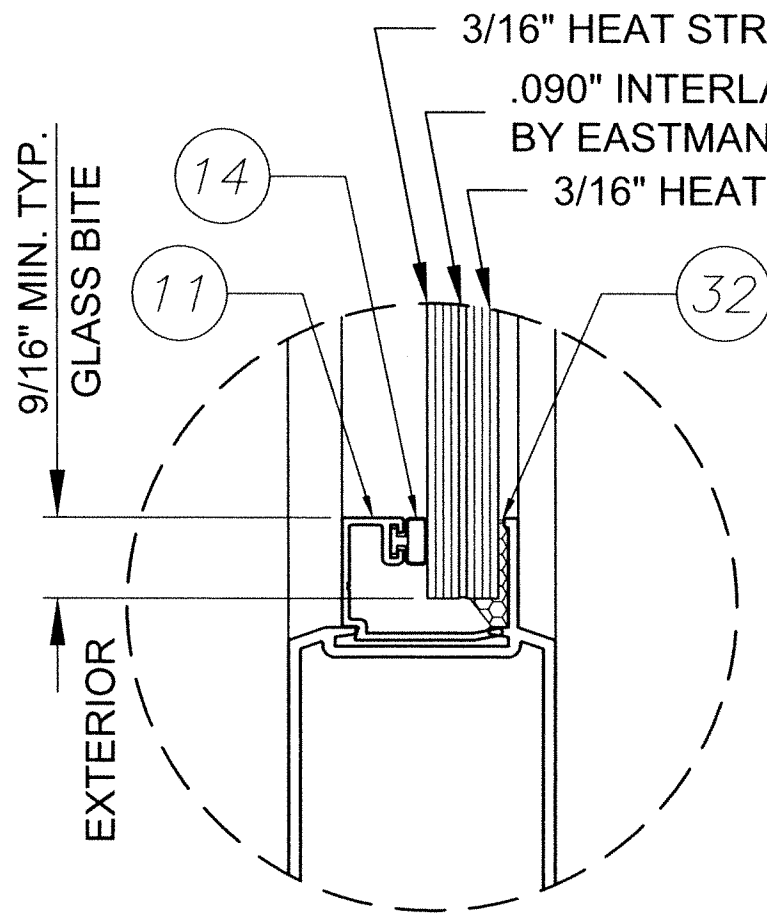
06/15/2023
DATE:

23-021
DRAWING No.

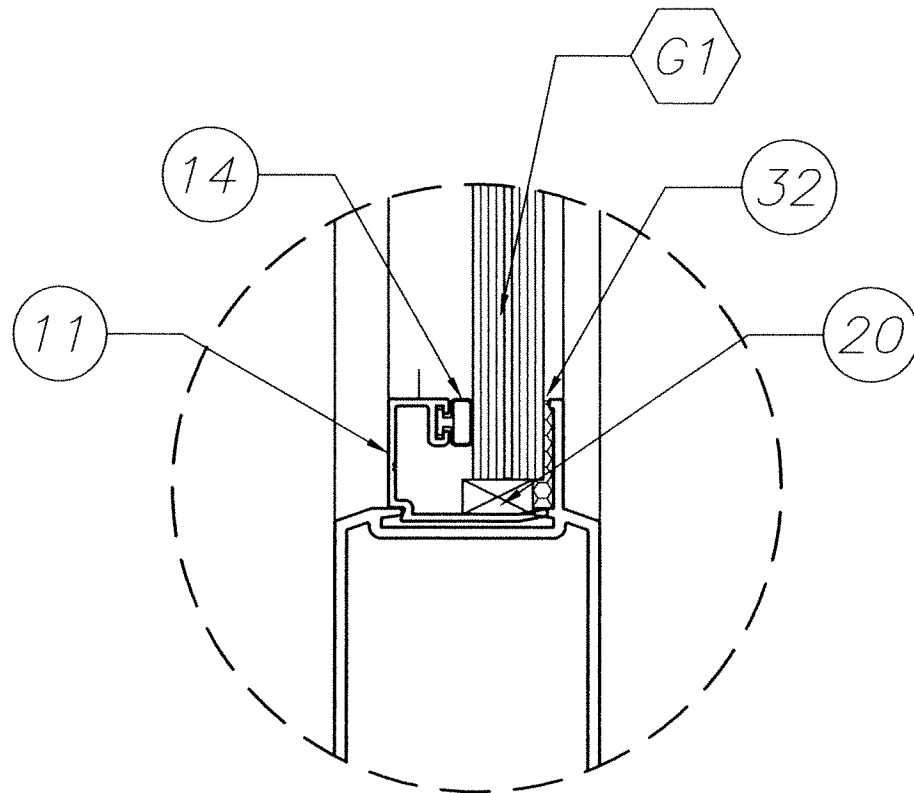
REV. NO	DESCRIPTION	DATE	REV. No	DESCRIPTION	DATE
1	-	-	3	-	-
2	-	-	4	-	-

SHEET 3 OF 10

BILL OF MATERIALS (CONT'D)		
COMPONENT #	DESCRIPTION	MATERIAL
G1	LAMINATED GLASS, 7/16" NOMINAL THICKNESS. 3/16" HS + 0.090" SAFLEX INTERLAYER BY EASTMAN + 3/16" HEAT STREN'D GLASS	GLASS

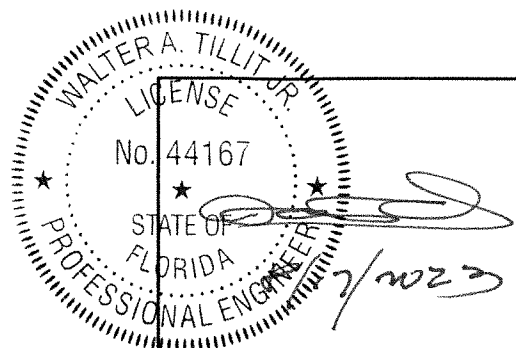


GLASS TYPE **G1**



SETTING BLOCKS AT LAM. GLASS
REQ'D. AT 1/4" POINTS FOR WIDTHS EXCEEDING
36" ONLY.

GLASS CONFIGURATION



P.E. SEAL/SIGNATURE/DATE

FLORIDA BUILDING CODE (HIGH AND NON HIGH VELOCITY HURRICANE ZONE)

©2023 TILTECO, INC.

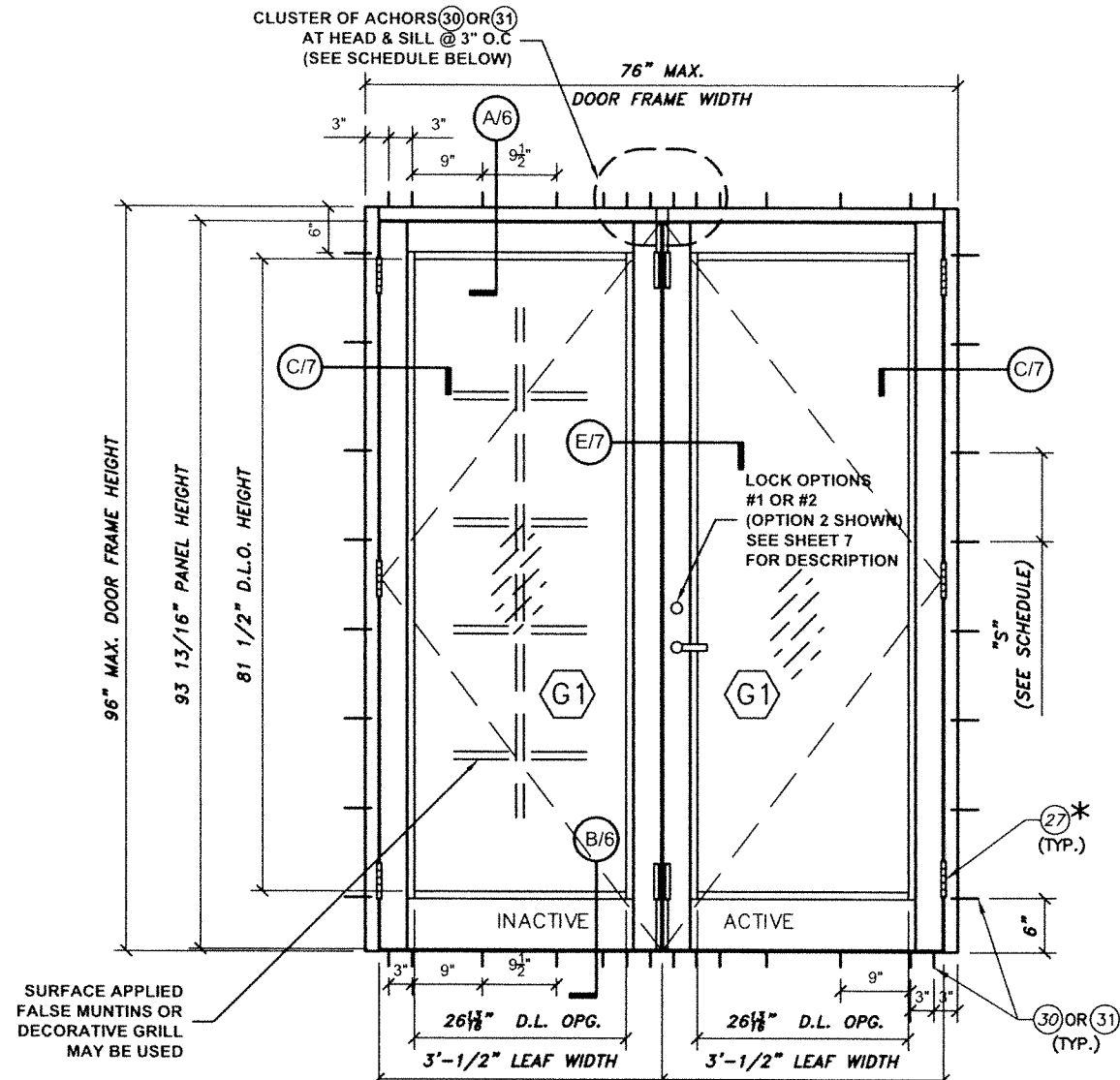


TILLIT TESTING & ENGINEERING COMPANY
6355 N.W. 36th St., Ste. 305, VIRGINIA GARDENS, FL 33166
Phone : (305)871-1530 . Fax : (305)871-1531
CA-0006719
WALTER A. TILLIT Jr. P.E.
FLORIDA Lic. # 44167

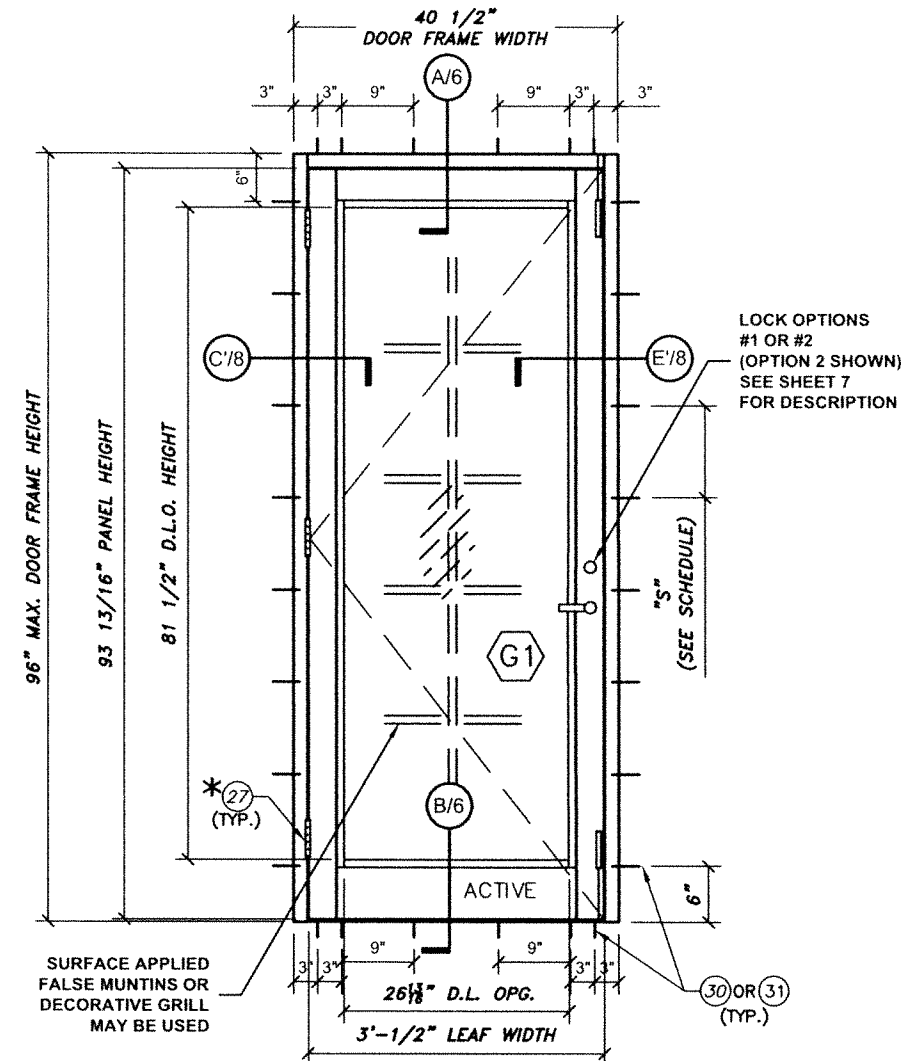
**AB-2301 ALUM.
OUTSWING FRENCH DOOR (L.M.I.)**
AMERICA'S BEST WINDOWS & DOORS
1350 Hammondville Rd.
POMPANO BEACH, FL 33069
PH: (954) 973-1362

F.R.L.
DRAWN BY:
06/15/2023
DATE:
23-021
DRAWING No.

REV. NO	DESCRIPTION	DATE	REV. No	DESCRIPTION	DATE
1	-	-	3	-	-
2	-	-	4	-	-



TYPICAL EXTERIOR ELEVATION FOR DOUBLE OUT SWING FRENCH DOOR
N.T.S.



TYPICAL EXTERIOR ELEVATION FOR SINGLE OUT SWING FRENCH DOOR
N.T.S.

MAXIMUM ANCHOR SPACING "S"
SCHEDULE AT JAMBS BASED ON SUBSTRATE

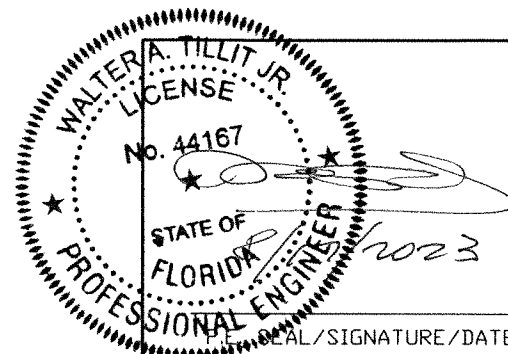
ANCHOR TYPE	SUBSTRATE		
	IN CONCRETE OR BLOCK	IN WOOD	IN 1/8" ALUMINUM OR 12 GAGE STEEL
(30)	9"	9"	-
(31)	-	-	9"

SCHEDULE FOR CLUSTER OF ANCHORS
AT MEETING STILES BASED ON SUBSTRATE

MAX. A.S.D. LOAD	SUBSTRATE		
	IN CONCRETE OR BLOCK	IN WOOD	IN 1/8" ALUMINUM OR 12 GAGE STEEL
+50, -60	(4) ANCHORS (30)	(4) ANCHORS (30)	(4) ANCHORS (31)
+50, -70	(4) ANCHORS (30)	(6) ANCHORS (30)	(4) ANCHORS (31)

***HINGE NOTE:**

3-1/2" x 7-5/8" x .122" THK. EXTRUDED ALUM. HINGE. PART #FD-107 BY SULLIVAN & ASSOC. (3) HINGES PER LEAF BOTTOM HINGE AT 10-1/4" FROM BOTTOM, TOP HINGE AT 10-1/4" FROM TOP. CENTER HINGE AT MIDSPAN (38" O.C. MAX.) HINGES FASTENED WITH #10 x 3/4" FH SMS (5) SCREWS AT HINGE STILE (6) SCREWS AT FRAME JAMB.



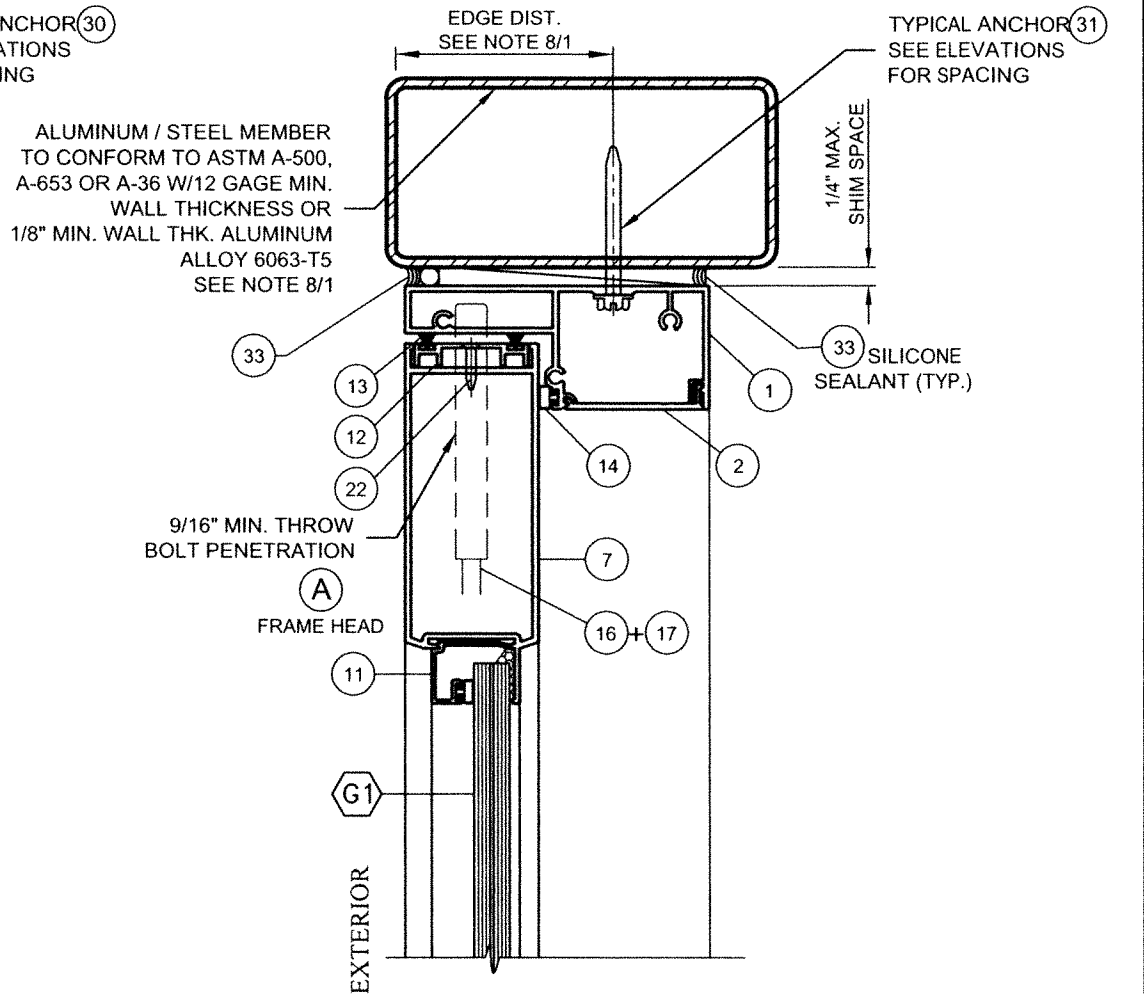
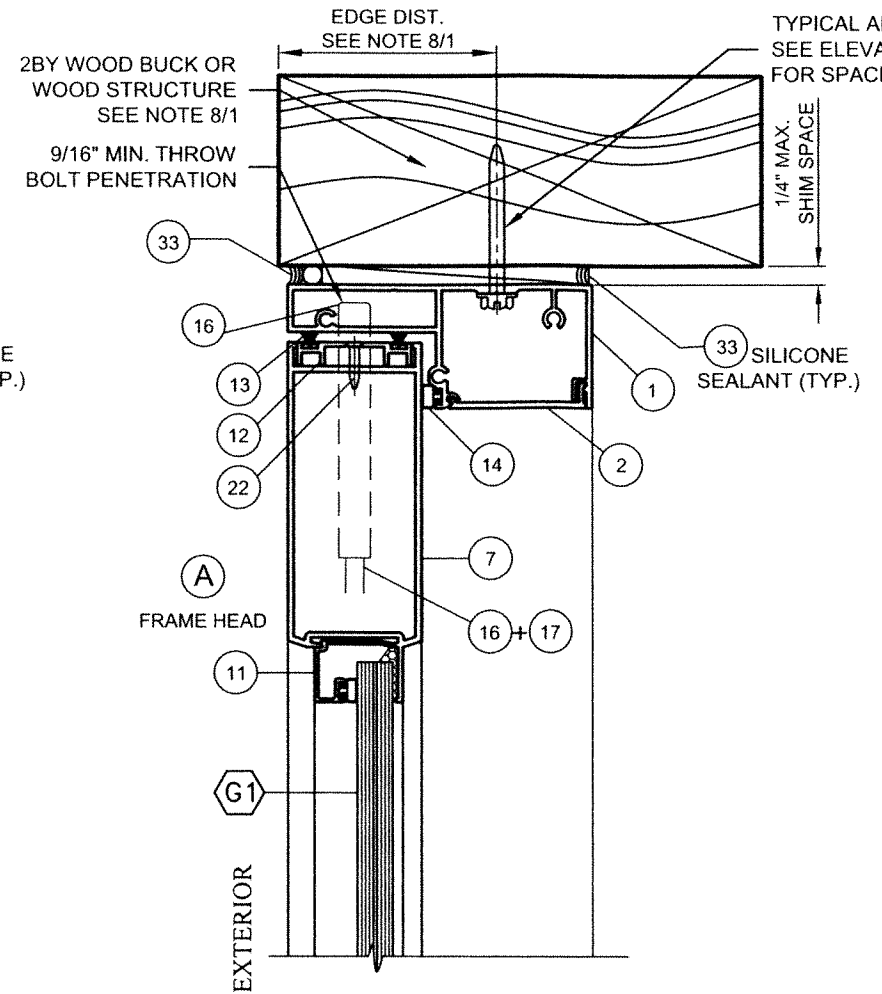
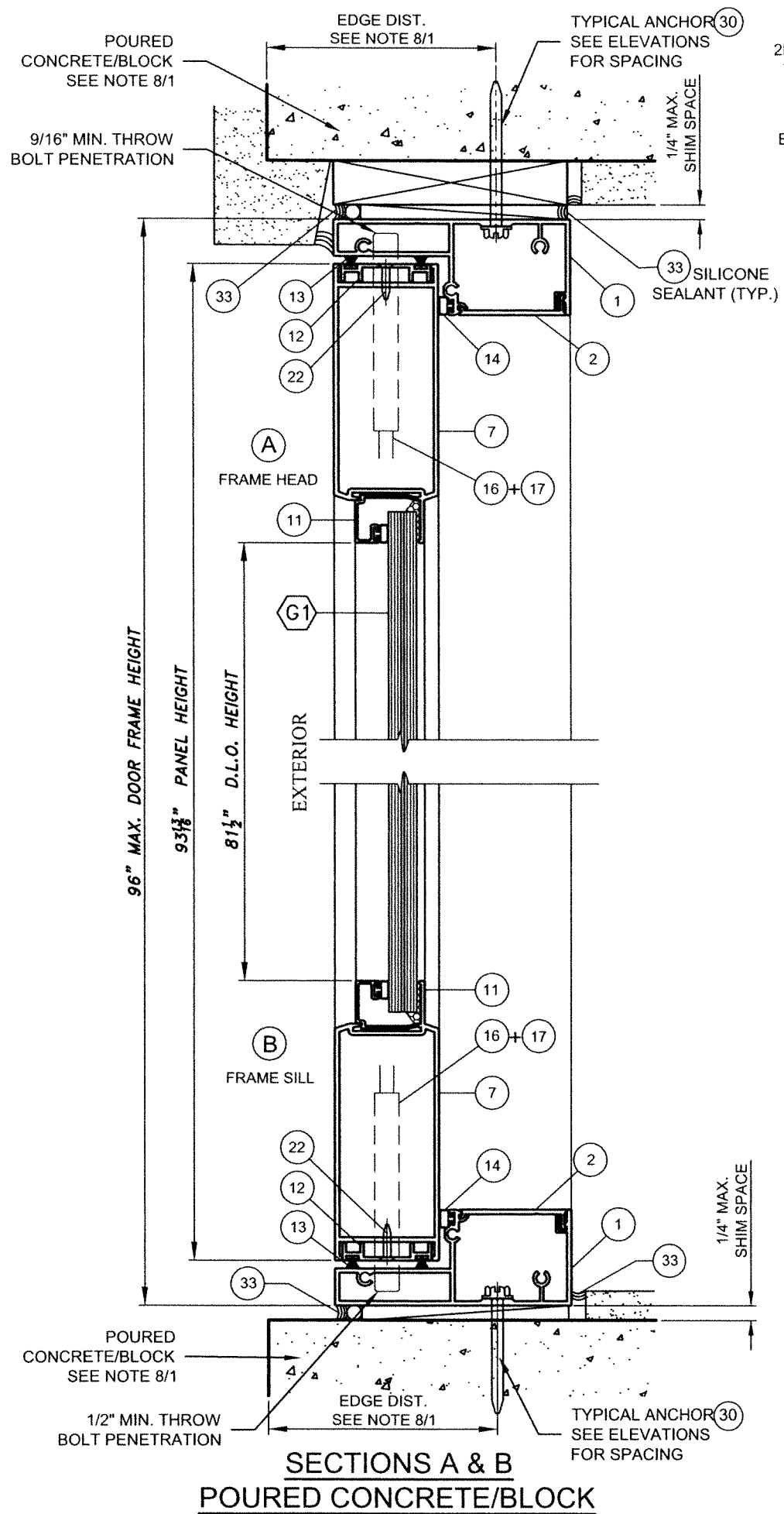
FLORIDA BUILDING CODE (HIGH AND NON HIGH VELOCITY HURRICANE ZONE)

©2023 TILTECO, INC.
TILTECO INC.
 TILLIT TESTING & ENGINEERING COMPANY
 6355 N.W. 36th St., Ste. 305, VIRGINIA GARDENS, FL 33166
 Phone: (305)871-1530 • Fax: (305)871-1531
 CA-0006719
 WALTER A. TILLIT Jr. P.E.
 FLORIDA Lic. # 44167

AB-2301 ALUM.
OUTSWING FRENCH DOOR (L.M.I.)
AMERICA'S BEST WINDOWS & DOORS
 1350 Hammondville Rd.
 POMPAÑO BEACH, FL 33069
 PH: (954) 973-1362

F.R.L.
 DRAWN BY:
 06/15/2023
 DATE:
23-021
 DRAWING No.
 SHEET 5 OF 10

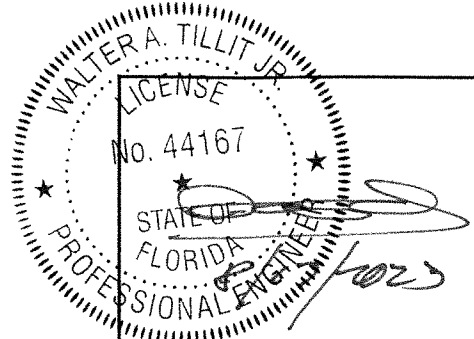
REV. NO	DESCRIPTION	DATE	REV. No	DESCRIPTION	DATE
1	-	-	3	-	-
2	-	-	4	-	-



**SECTION A
WOOD SUBSTRATE
(APPLICABLE HEAD/SILL)**

**SECTION A
ALUMINUM OR STEEL SUBSTRATE
(APPLICABLE HEAD/SILL)**

**SECTIONS A & B
POURED CONCRETE/BLOCK**



P.E. SEAL/SIGNATURE/DATE

FLORIDA BUILDING CODE (HIGH AND NON HIGH VELOCITY HURRICANE ZONE)

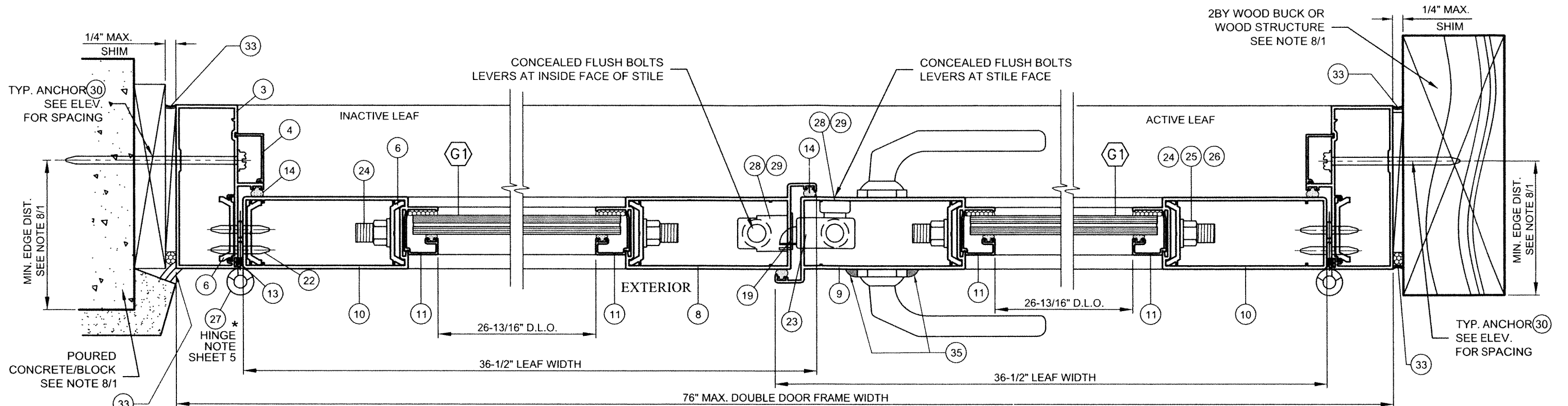
©2023 TILTECO, INC.

TILLIT TESTING & ENGINEERING COMPANY
6355 N.W. 36th St., Ste. 305, VIRGINIA GARDENS, FL 33166
Phone : (305)871-1530 · Fax : (305)871-1531
CA-0006719
WALTER A. TILLIT Jr. P.E.
FLORIDA Lic. # 44167

**AB-2301 ALUM.
OUTSWING FRENCH DOOR (L.M.I.)**
AMERICA'S BEST WINDOWS & DOORS
1350 Hammondville Rd.
POMPANO BEACH, FL 33069
PH: (954) 973-1362

F.R.L.
DRAWN BY:
06/15/2023
DATE:
23-021
DRAWING No.
SHEET 6 OF 10

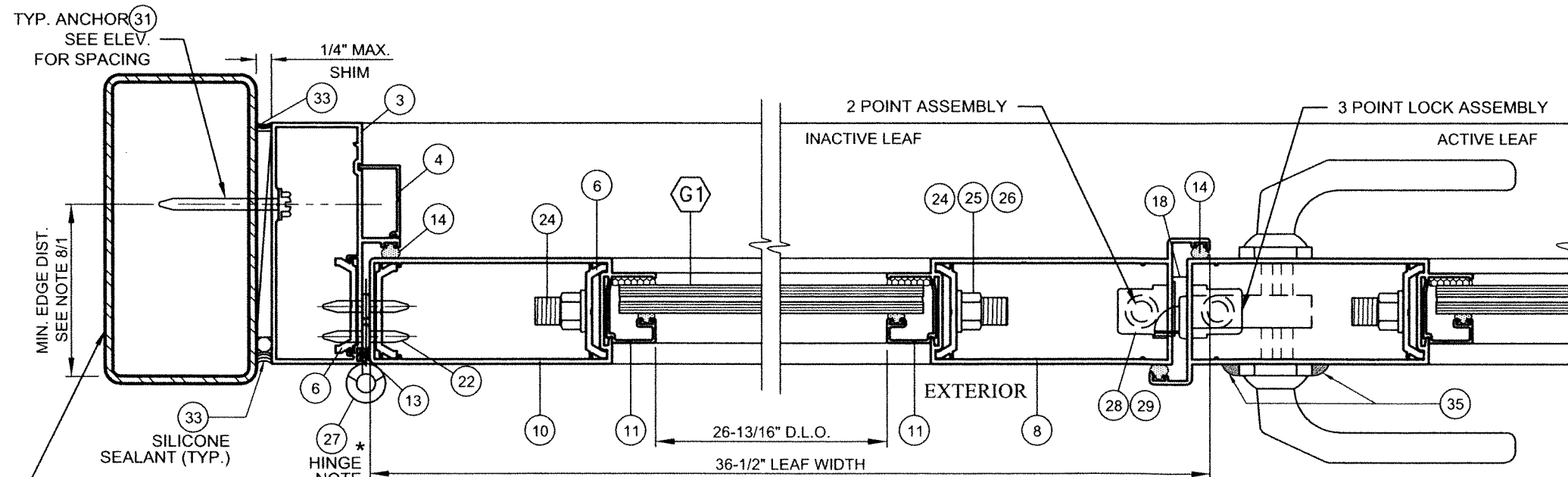
REV. NO	DESCRIPTION	DATE	REV. No	DESCRIPTION	DATE
1	-	-	3	-	-
2	-	-	4	-	-



SECTION C
(POURED CONCRETE OR CONCRETE BLOCK SUBSTRATE)

SECTION E
(LOCK OPTION # 2)

SECTION C
(WOOD SUBSTRATE)



SECTION C
(ALUMINUM OR STEEL SUBSTRATE)

SECTION E
(LOCK OPTION # 1)

ALUMINUM / STEEL MEMBER TO CONFORM TO ASTM A-500, A-653 OR A-36 W/12 GAGE MIN. WALL THICKNESS OR 1/8" MIN. WALL THK. ALUMINUM ALLOY 6063-T5 SEE NOTE 8/1

WALTER A. TILLIT JR.
LICENSE
No. 44167
STATE OF FLORIDA
PROFESSIONAL ENGINEER
2023
P.E. SEAL/SIGNATURE/DATE

FLORIDA BUILDING CODE (HIGH AND NON HIGH VELOCITY HURRICANE ZONE)

©2023 TILTECO, INC.

TILTECO INC.

TILLIT TESTING & ENGINEERING COMPANY
6355 N.W. 36th. St., Ste. 305, VIRGINIA GARDENS, FL 33166
Phone : (305)871-1530 . Fax : (305)871-1531
CA-0006719
WALTER A. TILLIT Jr. P.E.
FLORIDA Lic. # 44167

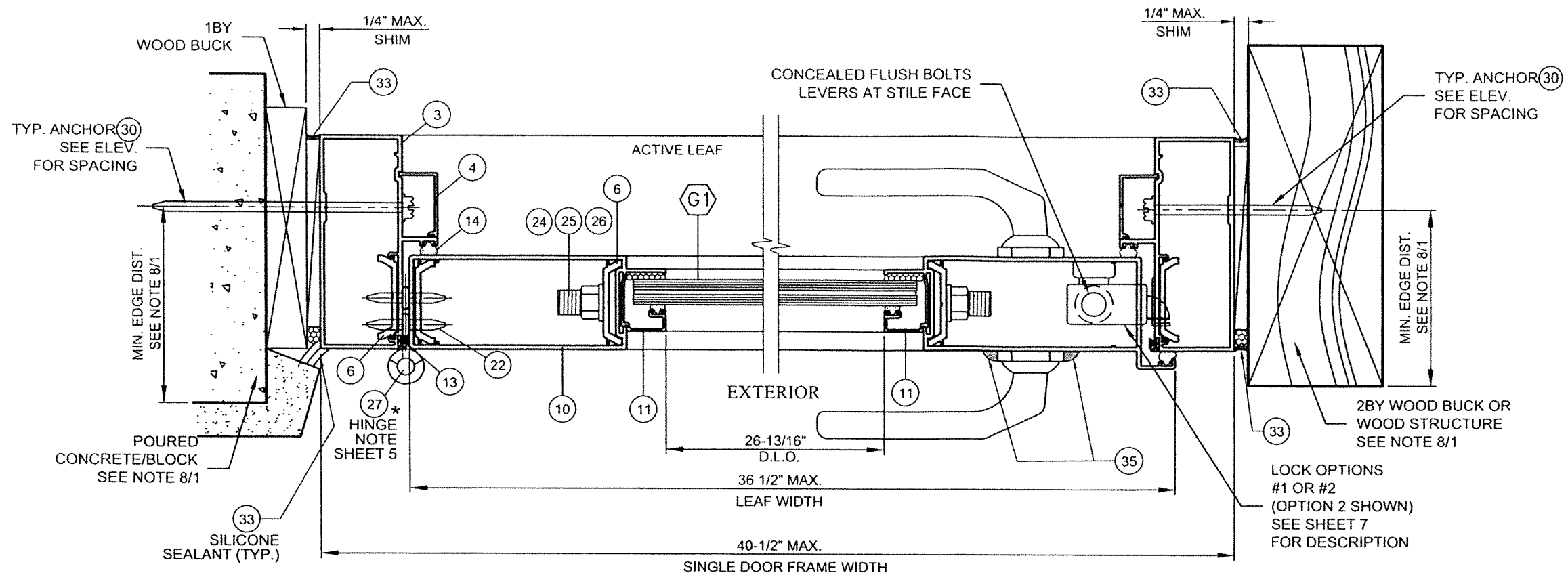
AB-2301 ALUM.
OUTSWING FRENCH DOOR (L.M.I.)
AMERICA'S BEST WINDOWS & DOORS
1350 Hammondville Rd.
POMPANO BEACH, FL 33069
PH: (954) 973-1362

F.R.L.
DRAWN BY:
06/15/2023
DATE:

23-021
DRAWING No.

REV. NO	DESCRIPTION	DATE	REV. No	DESCRIPTION	DATE
1	-	-	3	-	-
2	-	-	4	-	-

SHEET 7 OF 10

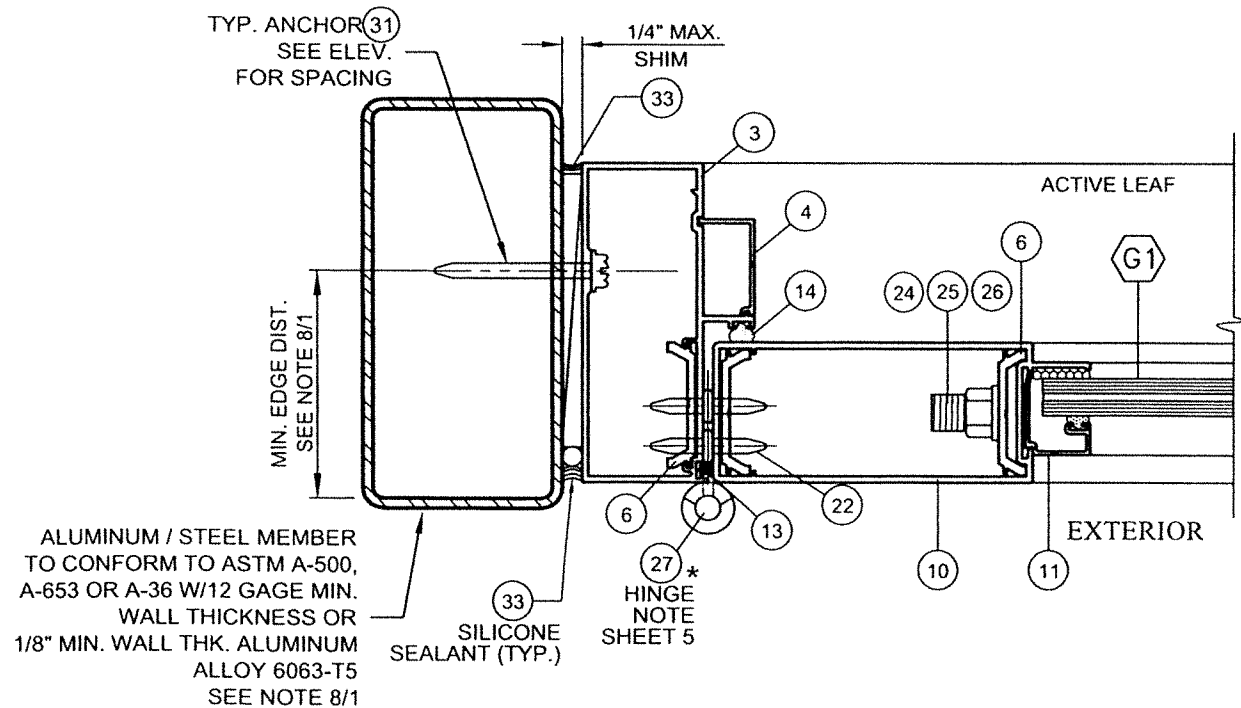


SECTION C'

(POURED CONCRETE OR CONCRETE BLOCK SUBSTRATE)

SECTION E'

(WOOD SUBSTRATE)



SECTION C'

(ALUMINUM OR STEEL SUBSTRATE)

WALTER A. TILLIT JR.
 LICENSE
 No. 44167
 STATE OF FLORIDA
 PROFESSIONAL ENGINEER
 P.E. SEAL/SIGNATURE/DATE

FLORIDA BUILDING CODE (HIGH AND NON HIGH VELOCITY HURRICANE ZONE)

©2023 TILTECO, INC.

TILTECO INC.

TILLIT TESTING & ENGINEERING COMPANY
 6355 N.W. 36th St., Ste. 305, VIRGINIA GARDENS, FL 33166
 Phone : (305)871-1530 . Fax : (305)871-1531
 CA-0006719
 WALTER A. TILLIT Jr. P.E.
 FLORIDA Lic. # 44167

AB-2301 ALUM.
OUTSWING FRENCH DOOR (L.M.I.)
AMERICA'S BEST WINDOWS & DOORS
 1350 Hammondville Rd.
 POMPANO BEACH, FL 33069
 PH: (954) 973-1362

F.R.L.
 DRAWN BY:
 06/15/2023
 DATE:

23-021
 DRAWING No.

REV. NO	DESCRIPTION	DATE	REV. No	DESCRIPTION	DATE
1	-	-	3	-	-
2	-	-	4	-	-

LOCKS:

OPTION #1

ACTIVE LEAF:

3 POINT LOCK ASSEMBLY DL01-6007 BY "INTERLOCK USA INC,"
 (2) LOCKING POINTS ENGAGING AT INACTIVE LEAF AT STRIKE PLATE
 1/2" DIA. THROW BOLT (1) AT TOP ENGAGING FRAME HEAD
 AND (1) AT BOTTOM ENGAGING FRAME SILL
 THROW BOLTS ATTACHED TO LOCK BY 3/8" CONNECTING RODS
 LOCK HANDLE LOCATED AT 42-1/2" FROM BOTTOM

INACTIVE LEAF:

CONCEALED FLUSH BOLTS BY "SULLIVAN & ASSOC."
 1/2" x 2" THROW BOLTS ENGAGING FRAME AT HEAD AND SILL
 MANUALLY OPERATED LEVERS MOUNTED ON INSIDE FACE OF LEAF
 STILE LOCATED AT 10-5/8" FROM TOP AND BOTTOM LOCK
 FASTENED TO STILE WITH (2) #8-32 X 1/2" FH MS

OPTION #2

ACTIVE LEAF:

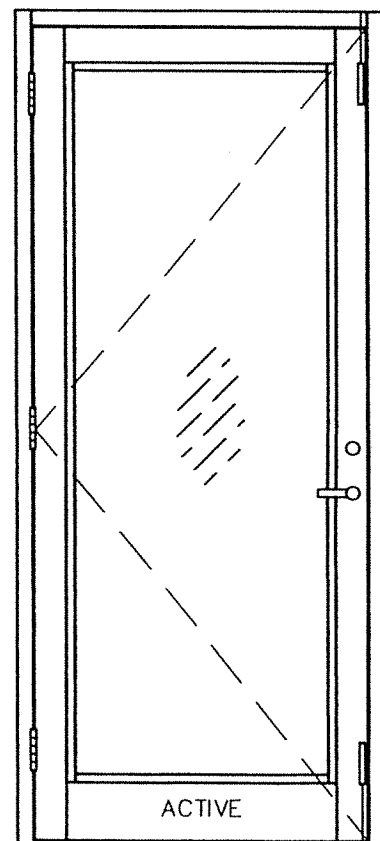
CONVENTIONAL DOOR LOCKSET WITH HANDLE
 DELTA 690 BY "KWIKSET" LOCATED AT 39-1/4" FROM BOTTOM
 KEY OPERATED ON EXTERIOR AND THUMB TURN ON
 INTERIOR THROW BOLT LOCATED AT 44-3/4" FROM BOTTOM

CONCEALED FLUSH BOLTS BY "SULLIVAN & ASSOC."

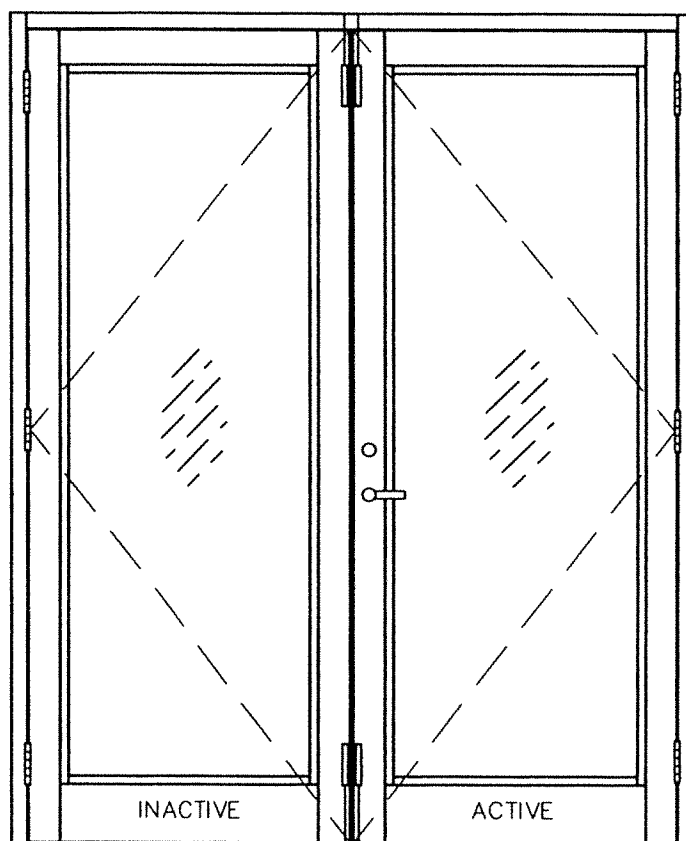
1/2" x 2" THROW BOLTS ENGAGING FRAME AT HEAD AND SILL
 MANUALLY OPERATED LEVERS MOUNTED ON STILE FACE LOCATED
 AT 10-5/8" FROM TOP AND BOTTOM LOCK FASTENED TO STILE
 WITH (2) #8 x 1/2" FH SCREWS.

INACTIVE LEAF:

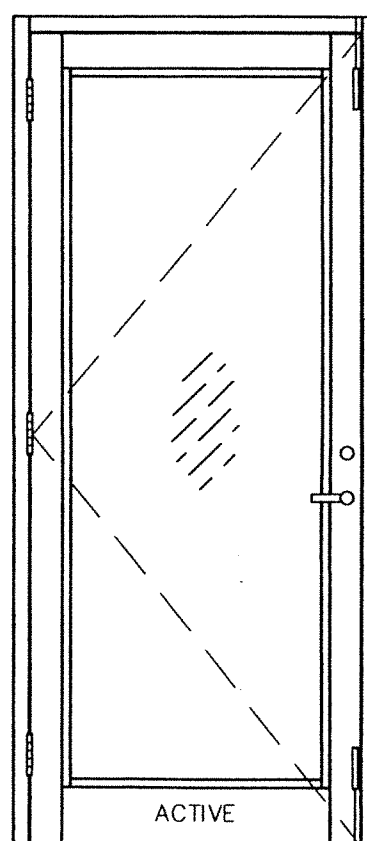
CONCEALED FLUSH BOLTS BY "SULLIVAN & ASSOC."
 1/2" x 2" THROW BOLTS ENGAGING FRAME AT HEAD AND SILL
 MANUALLY OPERATED LEVERS MOUNTED ON INSIDE FACE OF
 LEAF STILE LOCATED AT 10-5/8" FROM TOP AND BOTTOM
 LOCK FASTENED TO STILE WITH (2) #8-32 X 1/2" FH MS



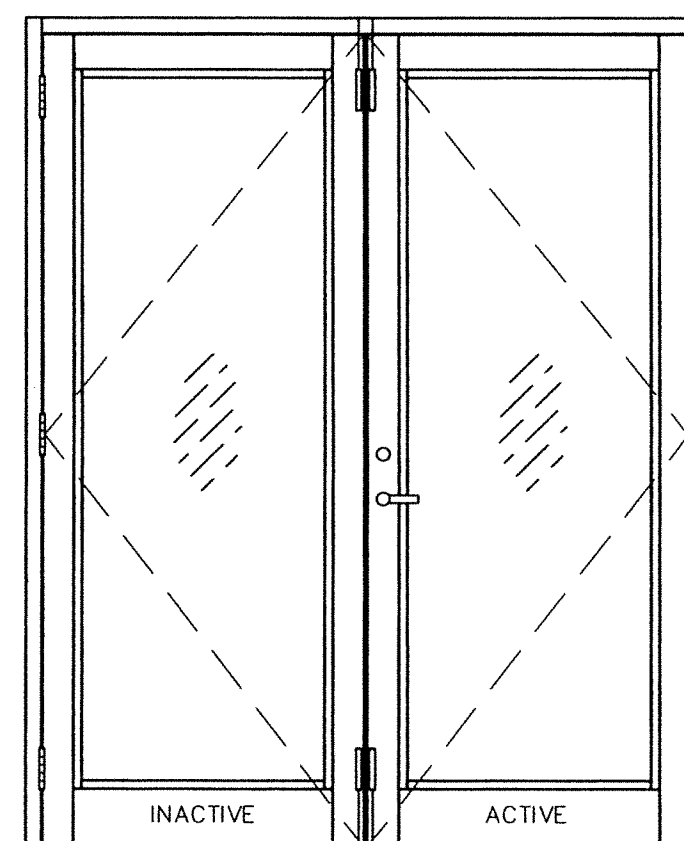
SINGLE DOOR



DOUBLE DOOR



SINGLE DOOR



DOUBLE DOOR

OPTIONS FOR HARDWARE AT LOCK
 N.T.S.

WALTER A. TILLIT JR.
 LICENSE
 No. 44167
 STATE OF
 FLORIDA
 PROFESSIONAL ENGINEER
 2023
 P.E. SEAL/SIGNATURE/DATE

FLORIDA BUILDING CODE (HIGH AND NON HIGH VELOCITY HURRICANE ZONE)

©2023 TILTECO, INC.



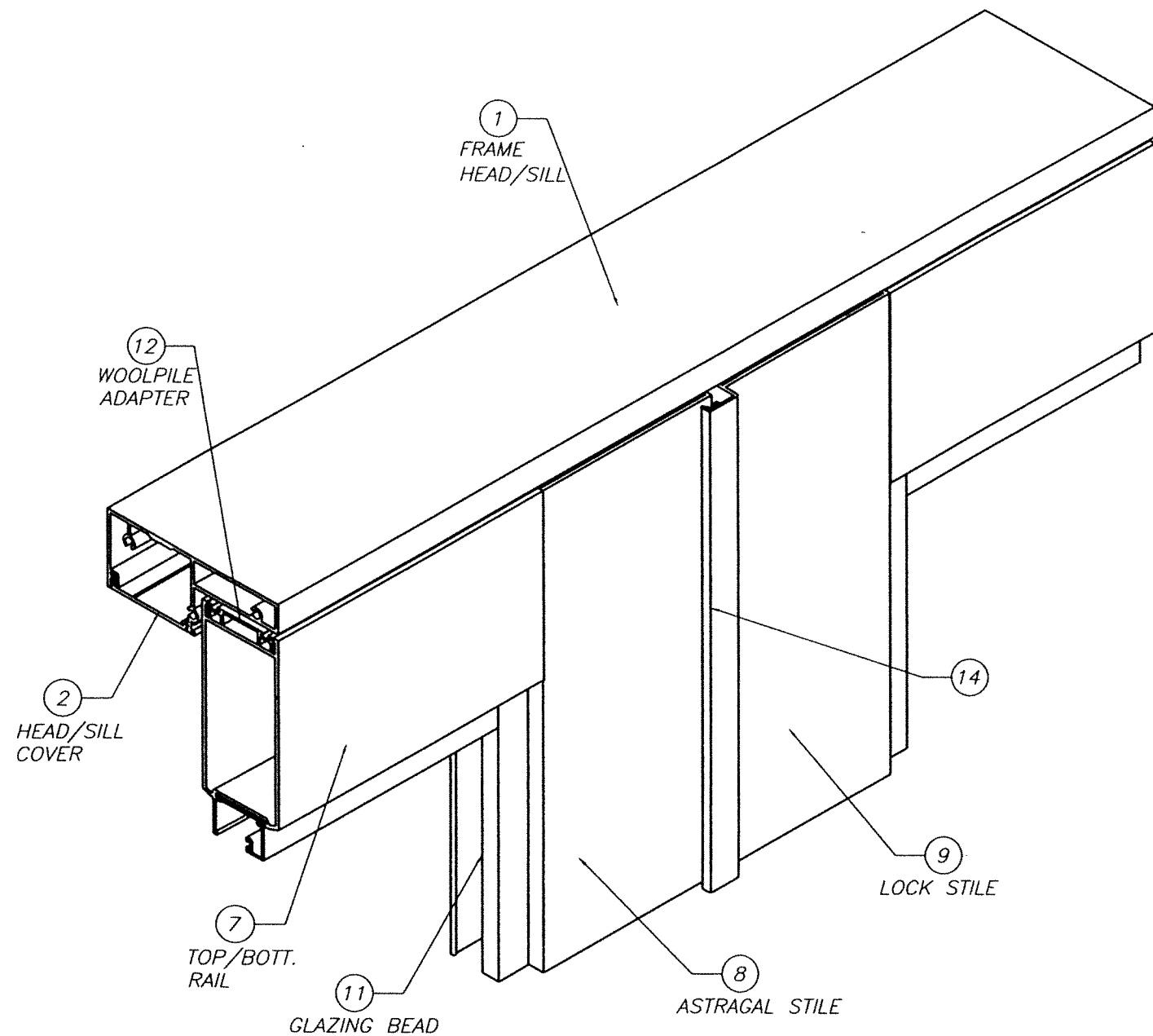
TILLIT TESTING & ENGINEERING COMPANY
 6355 N.W. 36th St., Ste. 305, VIRGINIA GARDENS, FL 33166
 Phone : (305)871-1530 - Fax : (305)871-1531
 CA-0006719
 WALTER A. TILLIT Jr. P.E.
 FLORIDA Lic. # 44167

AB-2301 ALUM.
OUTSWING FRENCH DOOR (L.M.I.)
AMERICA'S BEST WINDOWS & DOORS
 1350 Hammondville Rd.
 POMPANO BEACH, FL 33069
 PH: (954) 973-1362

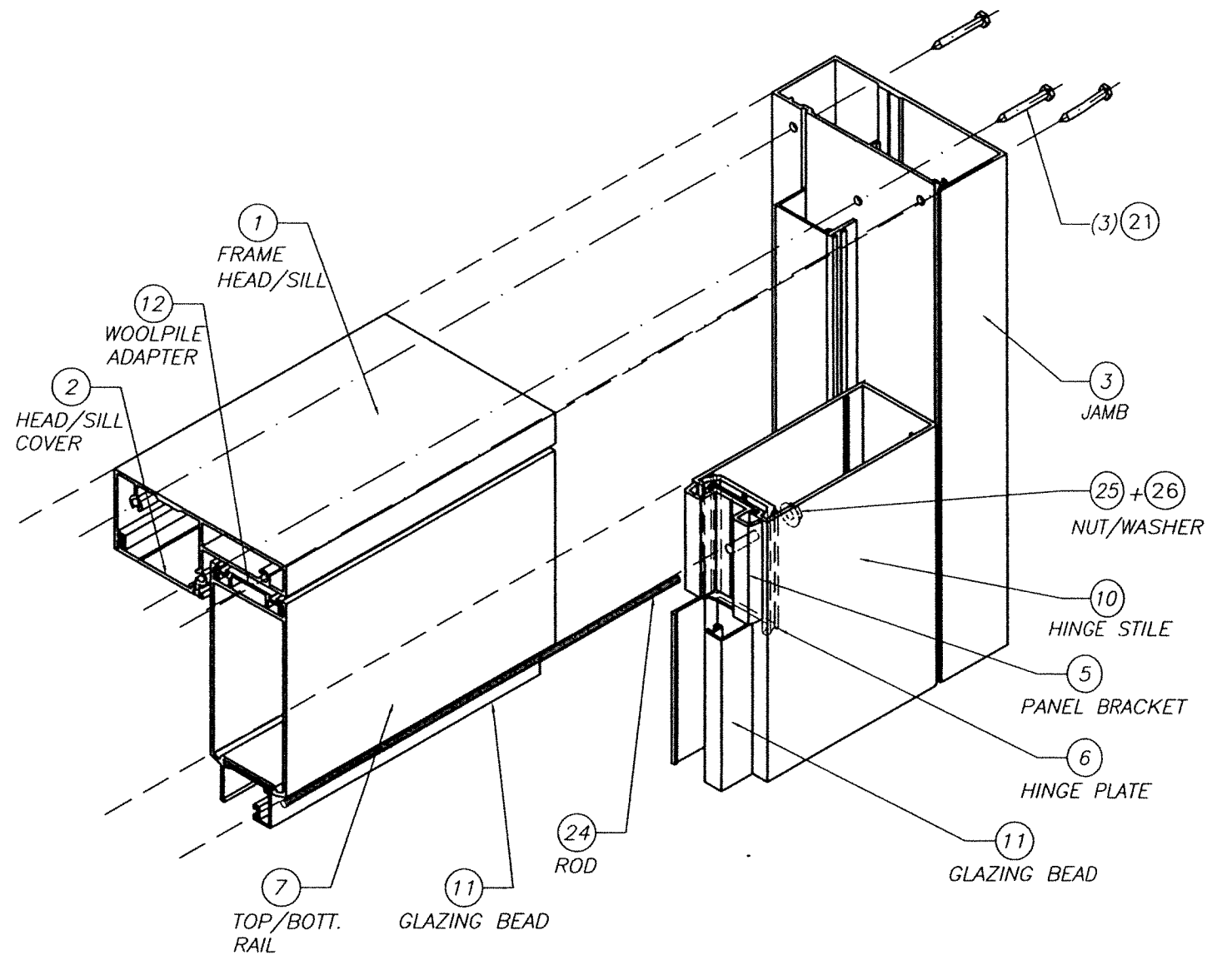
F.R.L.
 DRAWN BY:
 06/15/2023
 DATE:

23-021
 DRAWING No.

REV. NO	DESCRIPTION	DATE	REV. No	DESCRIPTION	DATE
1	-	-	3	-	-
2	-	-	4	-	-

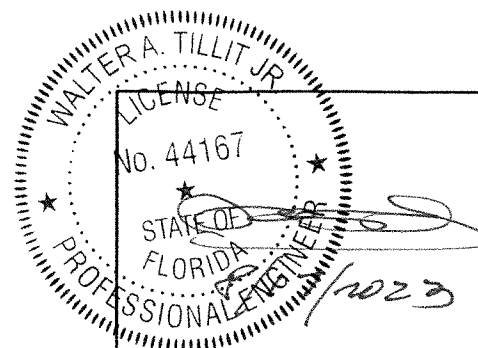


**FRAME & STILE CORNER TOP/BOTTOM
(ISOMETRIC)*
N.T.S.**



**FRAME & PANEL CORNER TOP/BOTTOM
(ISOMETRIC)*
N.T.S.**

*** NOTE:**
SEAL ALL CORNER AND SMALL JOINTS WITH
G.E SILICONE SEALANT. (34)



P.E. SEAL/SIGNATURE/DATE

FLORIDA BUILDING CODE (HIGH AND NON HIGH VELOCITY HURRICANE ZONE)

©2023 TILTECO, INC.



TILLIT TESTING & ENGINEERING COMPANY
6355 N.W. 36th St., Ste. 305, VIRGINIA GARDENS, FL 33166
Phone: (305)871-1530, Fax: (305)871-1531
CA-0006719
WALTER A. TILLIT Jr. P.E.
FLORIDA Lic. # 44167

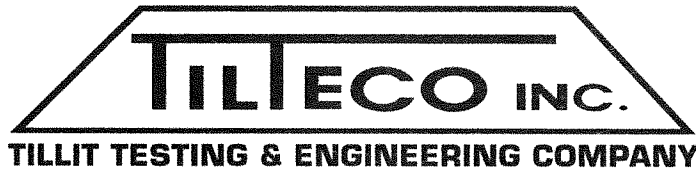
**AB-2301 ALUM.
OUTSWING FRENCH DOOR (L.M.I.)
AMERICA'S BEST WINDOWS & DOORS**
1350 Hammondville Rd.
POMPANO BEACH, FL 33069
PH: (954) 973-1362

F.R.L.
DRAWN BY:
06/15/2023
DATE:

23-021
DRAWING No.

REV. NO	DESCRIPTION	DATE	REV. No	DESCRIPTION	DATE
1	-	-	3	-	-
2	-	-	4	-	-

SHEET 10 OF 10



WALTER A. TILLIT, JR., P.E.

tilteco@aol.com
FL P.E. License No. 44167
FL C.A. License No. 0006719

CERTIFICATE OF INDEPENDENCE

Evaluation Report #: 23-0622.01

Date: June 22, 2023

Product Category: Exterior Doors

Product Subcategory: swinging Exterior Door Assemblies

Product Name: **AB-2301 ALUMINUM OUTSWING FRENCH DOOR (L.M.I)**

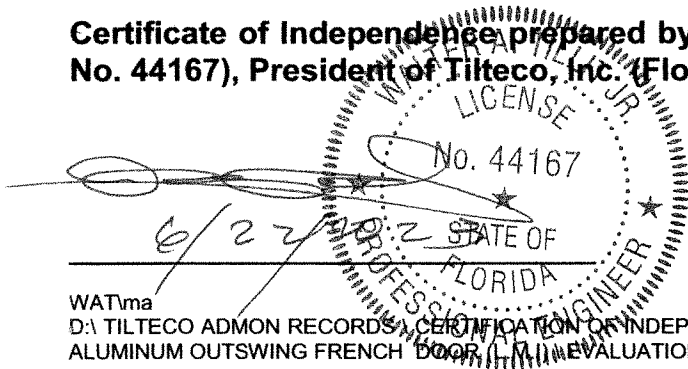
Manufacturer Name: **AMERICA'S BEST WINDOWS & DOORS**
1350 HAMMONDVILLE RD.
POMPANO BEACH, FL 33069

Dear Sir (Madam):

This is to certify that this Florida Professional Engineer, performing this evaluation does not have nor will acquire, a financial interest in any company manufacturing or distributing products for which the reports are being issued.

This is also to certify that this Florida Professional Engineer performing this evaluation does not have, nor will acquire, a financial interest in any other entity involved in the approval process of the product.

Certificate of Independence prepared by Walter A. Tillit, Jr., P.E. (Florida License No. 44167), President of Tilteco, Inc. (Florida CA-0006719).



WAT\ma
D:\TILTECO ADMON RECORDS\CERTIFICATION OF INDEPENDENCE \ AMERICA'S BEST WINDOWS & DOORS \ AB-2301 ALUMINUM OUTSWING FRENCH DOOR (L.M.I) EVALUATION REPORT # 23-0622.01